

Check terminal for super-small panel

This type is convenient for signal line check on a panel and for taking out of signal. As it is fit with a nut for M3, it is very compact in size and easy to use.

For signal line check [Part number: PN-1-1-C, PN-1-2-C] (10pcs/pack)

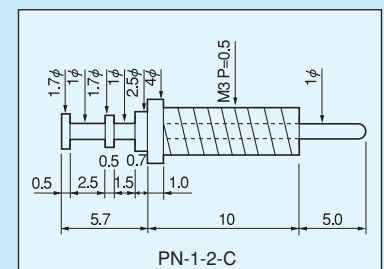
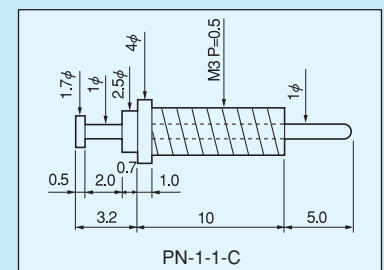
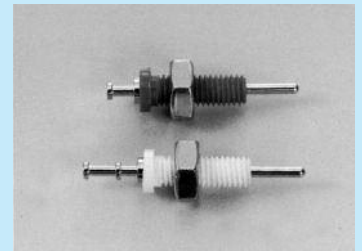
- This is used for checking of signal line.
- Material Pin part: Brass
Resin part (main body): 9T nylon (UL94V-0)
Nut: Brass, Nickel plating
- Finish Pin part: Gold plating over nickel base
- Resin color: Black, red, yellow, green, blue and white
- Thickness of panel to be fit: 0.5 mm to 5.0 mm
- Panel fitting hole diameter: ϕ 3.2

How to order

PN-1-1-C Black



Please specify the resin color.
(Black, red, yellow, green, blue or white)



For oscilloscope [Part number: PN-2-1-C] (10pcs/pack)

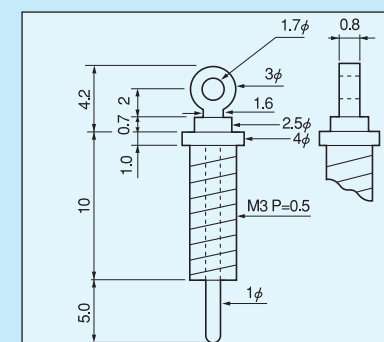
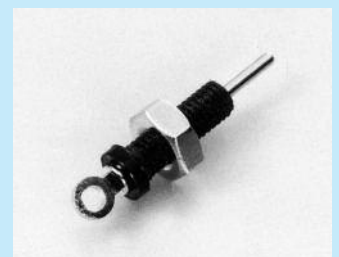
- This type is easy to hook of an oscilloscope probe.
- Material Pin part: Brass
Resin part (main body): 9T nylon (UL94V-0)
Nut: Brass, Nickel plating
- Finish Pin part: Gold plating over nickel base
- Resin color: Black, red, yellow, green, blue and white
- Thickness of panel that can be fit: 0.5 mm to 5.0 mm
- Panel fitting hole diameter: ϕ 3.2

How to order

PN-2-1-C Black



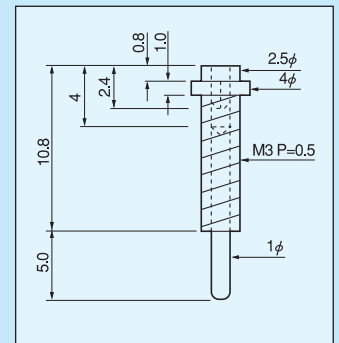
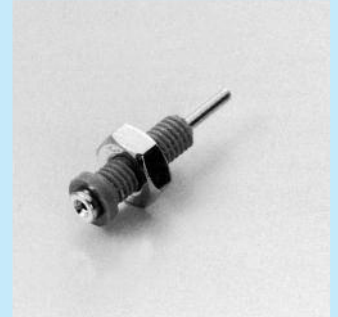
Please specify the resin color.
(Black, red, yellow, green, blue or white)



* The type for preventing the front metal part from contacting hand is also available.

Socket type [Part number: PN-3-1-C] (10pcs/pack)

- This is a socket type with OP-1 series on the male side.
- Material Pin part: Brass
 - Contact part: Beryllium copper
 - Resin part (main body): 9T nylon (UL94V-0)
 - Nut: Brass, Nickel plating
- Finish Pin part: Gold plating over nickel base
 - Contact part: Gold plating over nickel base
- Resin color: Black, red, yellow, green, blue and white
- Adaptive male pin diameter: ϕ 0.45 to ϕ 0.6
- Rated current: 1A
- Thickness of panel that can be fit: 0.5 mm to 5.0 mm
- Panel fitting hole diameter: ϕ 3.2



How to order

PN-3-1-C yellow

Please specify the resin color.
(Black, red, yellow, green, blue or white)

Specification (PN-C series)

Rated current	3A
	1A(only PN-3-1-C)
Rated voltage	125V DC,AC
Withstand voltage	1000V DC,AC
Insulation resistance	500M Ω or over
Operating temperature range	-20 to +100 $^{\circ}$ C

Instructions for using PN-C series

- Do not strongly tighten the nut when fitting. (Tightening torque of 1.0 kg.f.cm (9.8 N.cm) or over is not allowed.)
- Please fix by using a screw lock.