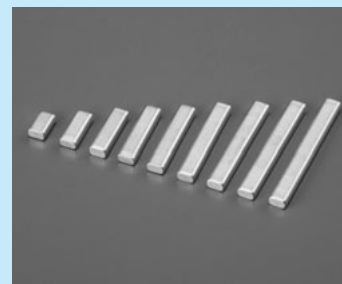
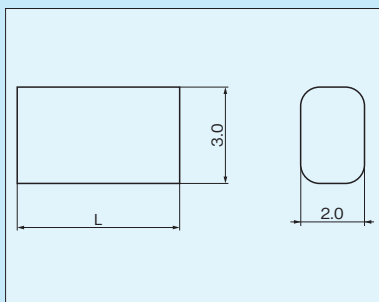


Bar for high current [PW series]

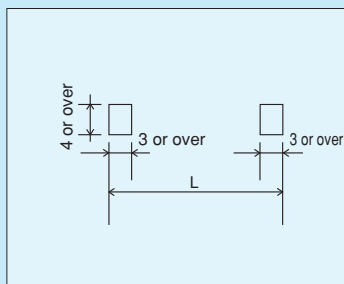
- This is used for applying high current on a PC board.
- This can be also used as a jumper.
- Material: Copper
- Finish: Tin plating over nickel base
- Rated current: 50A



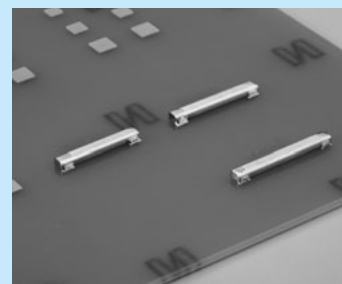
Dimension



Recommended land



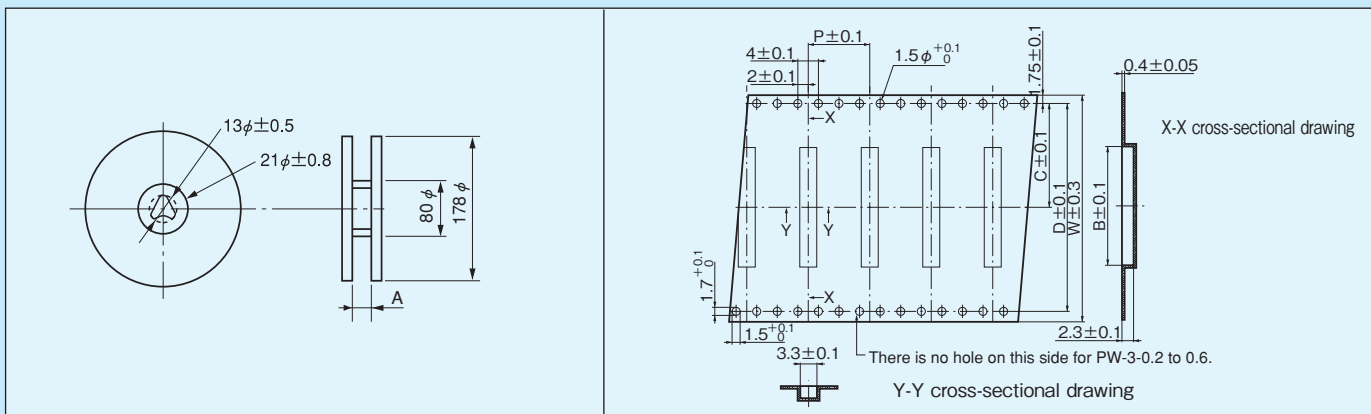
Example of usage



Part number

Part number	L	Package	A	B	C	D	P	W
PW-3-0.2	5.08	Bulk (100pcs/pack)	—					
PW-3-0.2-T	5.08	Reel (800pcs/reel)	17.5	5.48	7.5	—	8	16
PW-3-0.3	7.62	Bulk (100pcs/pack)	—					
PW-3-0.3-T	7.62	Reel (800pcs/reel)	17.5	8.02	7.5	—	8	16
PW-3-0.4	10.16	Bulk (100pcs/pack)	—					
PW-3-0.4-T	10.16	Reel (800pcs/reel)	25.5	10.56	11.5	—	8	24
PW-3-0.5	12.7	Bulk (100pcs/pack)	—					
PW-3-0.5-T	12.7	Reel (800pcs/reel)	25.5	13.1	11.5	—	8	24
PW-3-0.6	15.24	Bulk (100pcs/pack)	—					
PW-3-0.6-T	15.24	Reel (800pcs/reel)	25.5	15.64	11.5	—	8	24
PW-3-0.7	17.78	Bulk (100pcs/pack)	—					
PW-3-0.7-T	17.78	Reel (500pcs/reel)	33.5	18.18	14.2	28.4	12	32
PW-3-0.8	20.32	Bulk (100pcs/pack)	—					
PW-3-0.8-T	20.32	Reel (400pcs/reel)	33.5	20.72	14.2	28.4	12	32
PW-3-0.9	22.86	Bulk (100pcs/pack)	—					
PW-3-0.9-T	22.86	Reel (400pcs/reel)	45.5	23.26	20.2	40.4	12	44
PW-3-1.0	25.4	Bulk (100pcs/pack)	—					
PW-3-1.0-T	25.4	Reel (400pcs/reel)	45.5	25.8	20.2	40.4	12	44

Dimension of the reel



For surface mounting