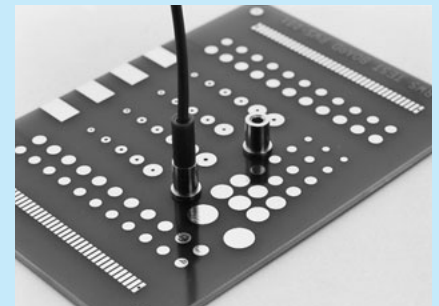


Power supply socket for surface mounting [Part number: PJ-2-7.5]

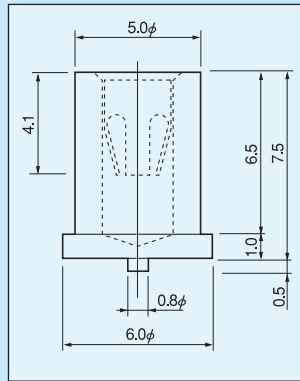
- This socket can supply power onto a surface mounting board.
- Tape-and-reel is also available for using a mounter.
- The male side is OP-7-1 and OP-7-2.
- When supplying the power for two-tiered PC boards, please use DX series.
- Material
Body: Brass
Contact: Beryllium copper
- Finish
Body: Gold plating over nickel base
Contact: Gold plating over nickel base
- Rated current: 20A
- Contact resistance: 10mΩ or less
- Insertion / removal frequency: 100 times or over
- Insertion / removal forces: 150g or over
- Adaptive male pin diameter: φ 1.7 to φ 2.1
- Operating temperature range: -40 to +125°C



Example of usage



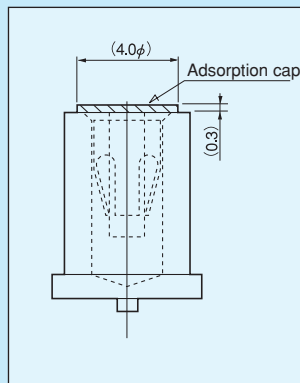
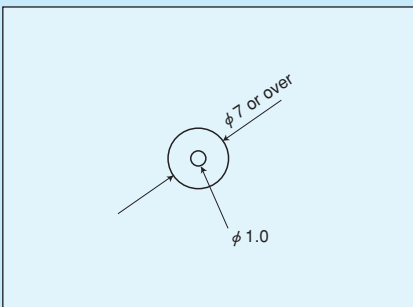
When combined with OP-7-1 / OP-7-2



Part number

Part number	Package
PJ-2-7.5	Bulk (100pcs/pack)
PJ-2-7.5-T	Reel (600pcs/reel)

Recommended land diameter

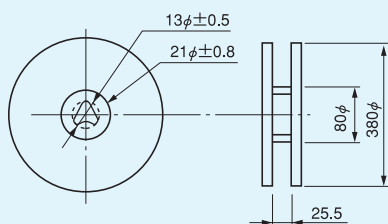


Adsorption cap is attached for the tape-and-reel. After soldering, please dispose it.

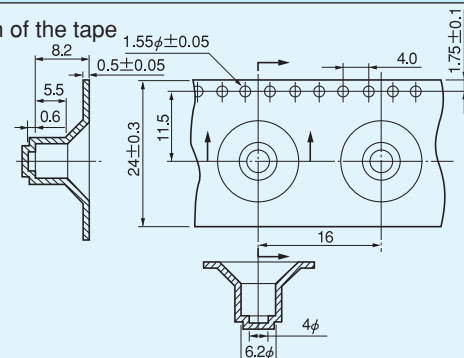


When combined with DX series

Dimension of the reel



Dimension of the tape



For surface mounting