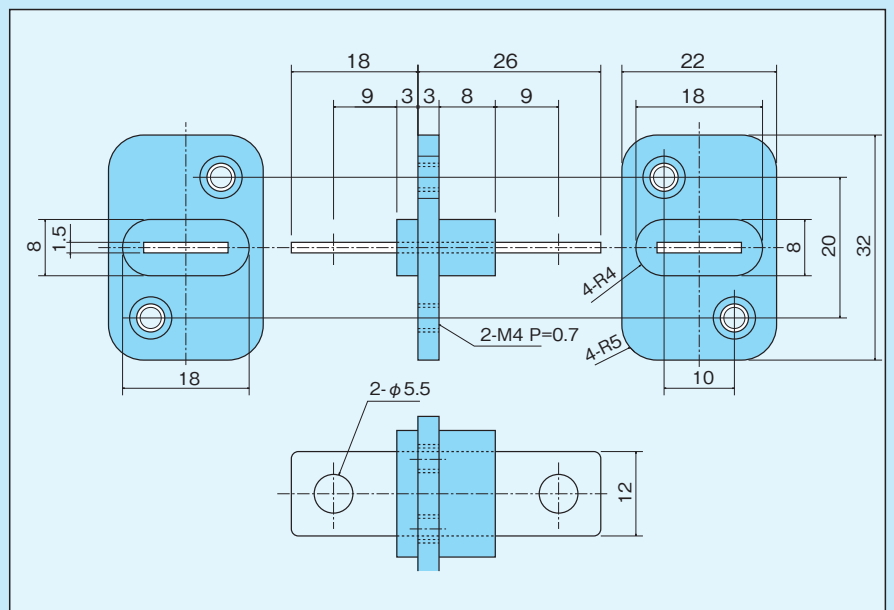


Power supply terminal for panel [PNP-1-5] (10pcs/pack)

- Please use when supplying power from the panel.
There are 6 colors. You can color-code each power line.
- Material...Terminal part...Copper
Screw part...Brass
Resin part...Nylon9T(UL94V-0)
- Processing...Terminal part...Nickel plating
Screw part...Nickel plating
- Resin color...Black, red, yellow, green, blue, white
- Rated current:65A
- Rated voltage:2000V AC,DC
- Insulation resistance: 500MΩ or over
- Withstand voltage: 6000V
AC, DC per minute
- Operating temperature range:
-40 to +125°C
- Adaptive panel thickness : 1.0~3.2mm



Dimensions

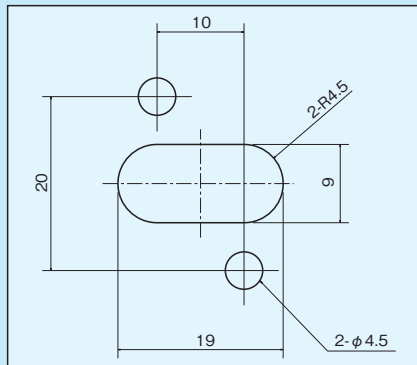


How to order

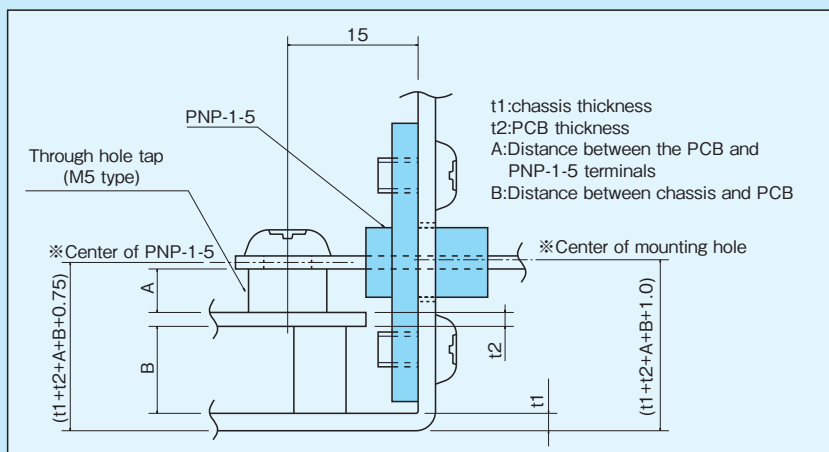
PNP-1-5 Red

Please specify the resin color.
(Black, red, yellow, green, blue, white)

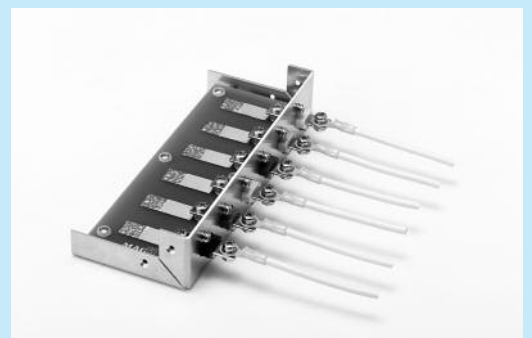
Panel mounting hole dimensions



Panel mounting position (reference diagram)

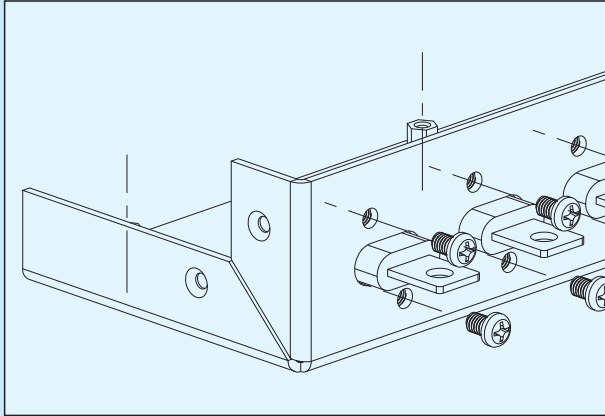


Example of usage



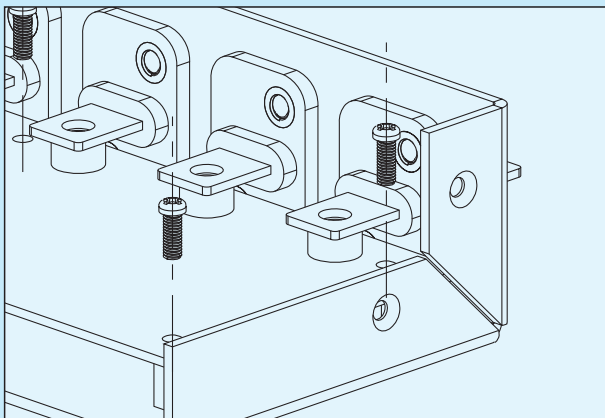
■ Usage procedure(reference)

1(a).



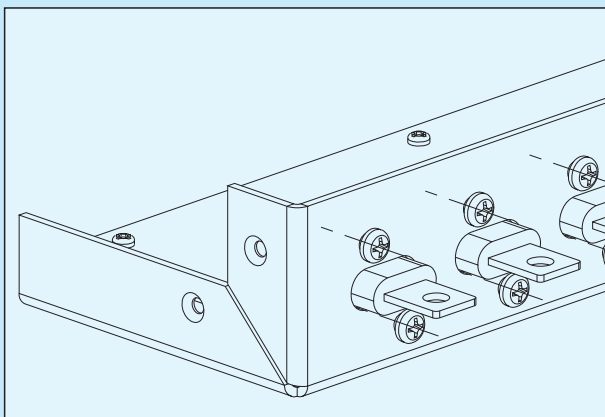
Attach the spacer to the chassis.
Temporarily tighten the screws and attach PNP-5-1 to the panel.

2.



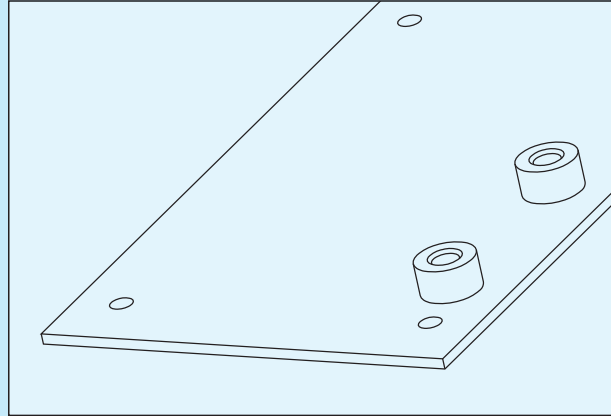
Screw 1(b) to 1(a).

4.



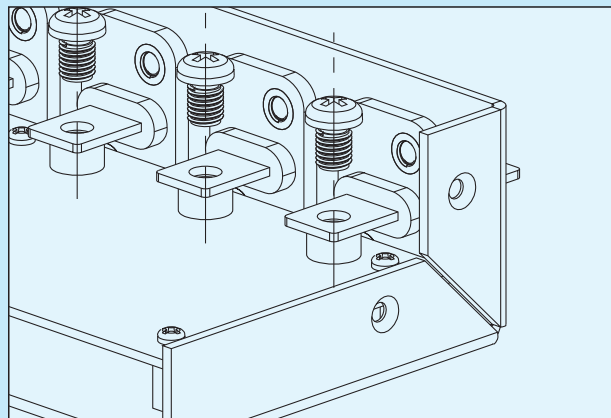
Fully tighten the screws that were temporarily tightened in 1(a) and fix PNP-1-5 to the panel.
※ Tightening torque 8kgf-cm(78.4N-cm) or less.

1(b).



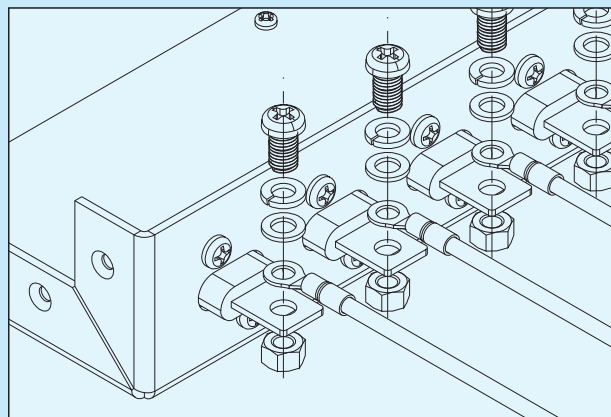
Mount a through hole tap [M5 type] on the PCB.

3.



Screw PNP-1-5 to the through hole tap [M5 type] .
*Tightening torque 15kgf-cm(147N-cm) or less.

5.



Fix the wire with the crimp terminal attached with a nut.