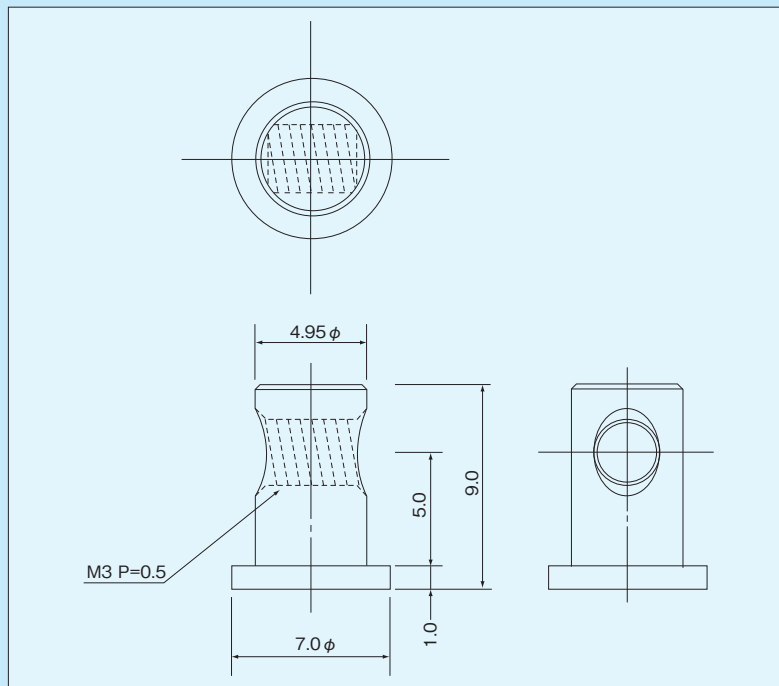


PC board vertical fitting terminal [BBA-5.0-M3] (100 pcs / pack)

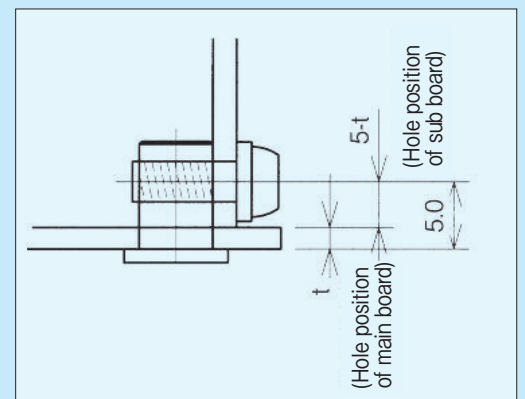
- Possible to fix 2PCB in vertical by screw at one side.
- No need soldering
- Material: Brass
- Finish: Nickel plating
- Operating temperature range: -40°C to +150°C
- Recommended hole diameter (at main board): 5.0 φ
- Recommended hole diameter (at sub board): 3.1 φ
- Adaptive PCB thickness (Main board)2mm and below (sub board)Free
- There needs to adjust the hole-position of sub PCB side depends on the thickness of main board.

■ Part number···BBA-5.0-M3

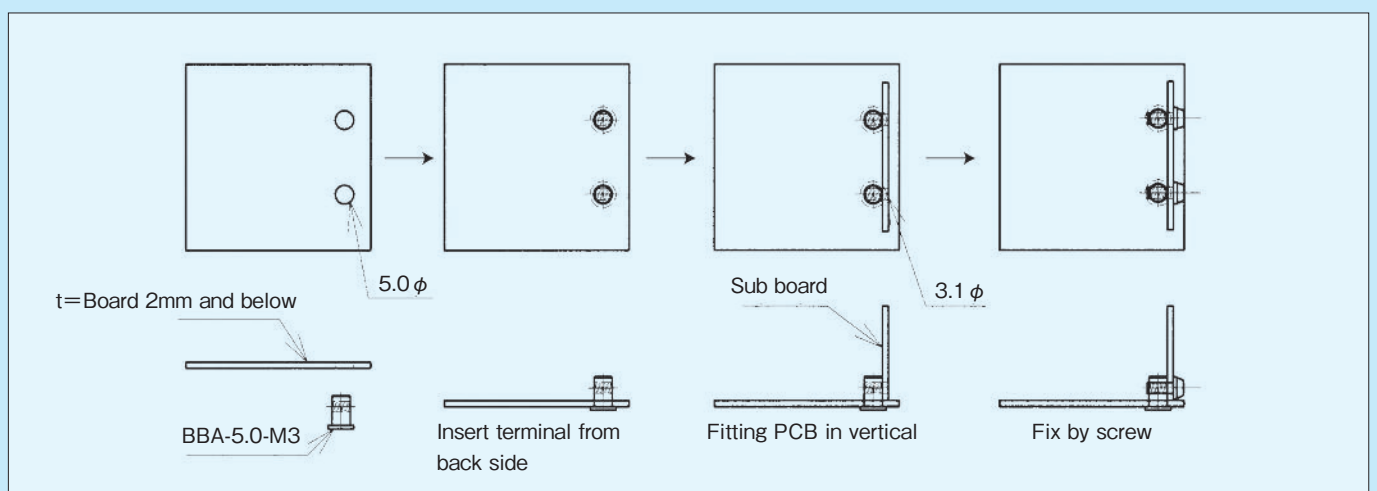
■ Dimensional drawing



■ Hole position of sub board



■ How to use



Fitting mount for printed board