

Parallel fitting mount for PC board [WFB series] (10 pcs / pack)

- Possible to put additional small PCB in parallel on the main PCB by fixing WFB-1 series with M3 screw.
- Possible to fix the additional PCB with M2 screw (Refer 2M, 2.6M, 3M, 4M series in case of using plastic screw.)
- Possible to make 2-tiered, 3-tiered PCB by fitting WFB-0 series on WFB-1 series with adhesive.
- Material : PPS Black (UL94V-0)
- Applicable PCB thickness: 1.6t、1.0t、0.6t
- Screw to fix WFB series: M3 P=0.5 screw
- Screw to fix the additional PCB: M2 P=0.4 screw

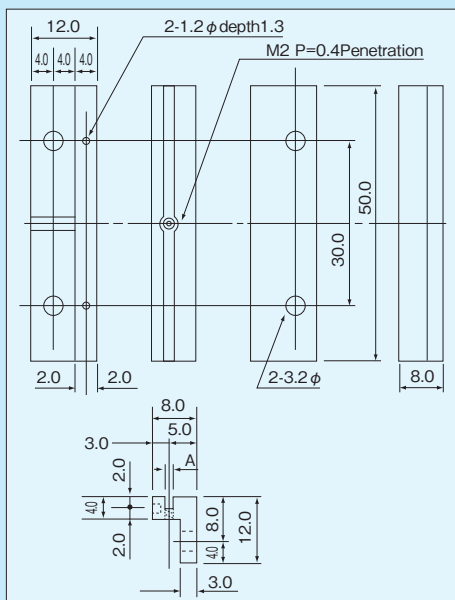
Part number

Part number	A	Applicable PCB thickness (mm)
WFB-1-1.6	1.75	1.6
WFB-1-1.0	1.15	1.0
WFB-1-0.6	0.75	0.6

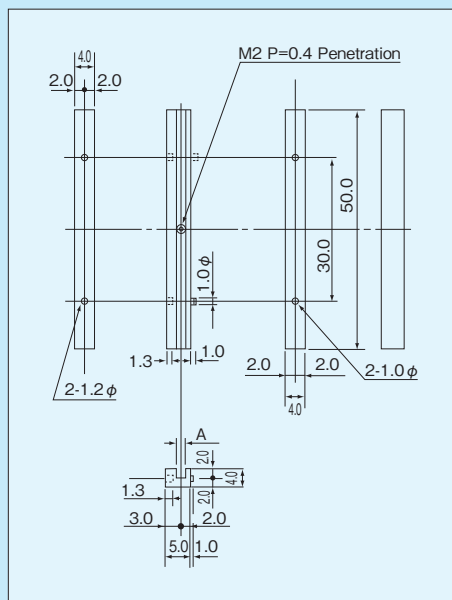
- For stacking (more than 2-tiered)

Part number	A	Applicable PCB thickness (mm)
WFB-0-1.6	1.75	1.6
WFB-0-1.0	1.15	1.0
WFB-0-0.6	0.75	0.6

Dimensional drawing

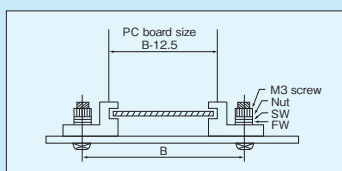


WFB-1-□

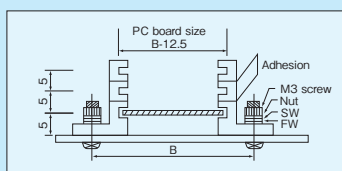


WFB-0-□

Fitting position (reference drawing)



(1-tiered)



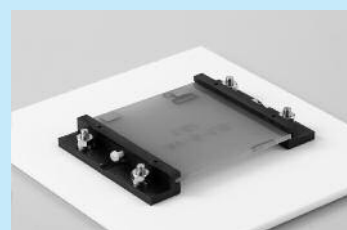
(3-tiered)

Instruction for use

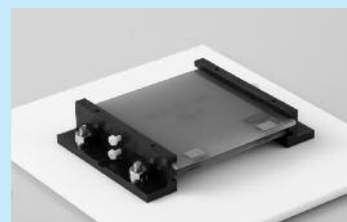
- Please do the screwing at the point that M2 screw contact to the PCB. (Please fix the screw by the screw-lock etc)



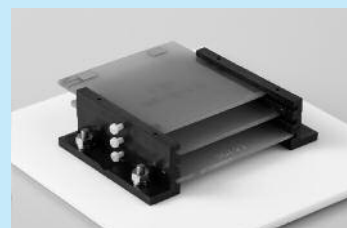
Example of use



WFB-1-□



Bonding WFB-1-□ and WFB-0-□ (2-tiered)



Bonding WFB-1-□ and WFB-0-□ (3-tiered)

Parallel fitting mount