

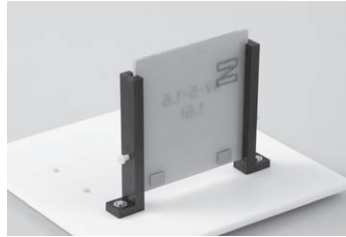
**Vertical fitting mount for PC board**

**WVS series (10pcs/pack)**

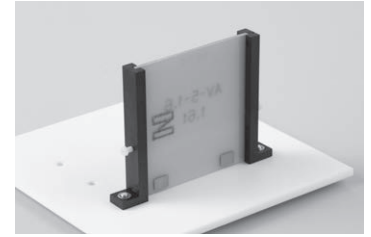
- Possible to put additional small PCB in vertical on the main PCB by fixing this part with screw.
- WVS-1: Possible to make 5mm-space from the PCB.  
(So it is possible to mount the component (less than 5mm) between 2PCBs.)
- Possible to fix the additional PCB with M2 screw  
(Refer 2M, 2.6M, 3M, 4M series in case of using plastic screw.)
- Material Resin part: PPS Black (UL94V-0)  
Metal part: Brass (Nickel plating)
- Applicable PCB thickness: t1.6, t1.0, t0.6
- Screw to fix WVS series: M3 P=0.5 screw
- Screw to fix the additional PCB: M2 P=0.4 screw



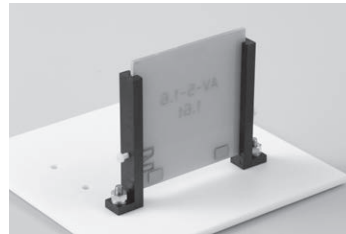
■ Example of usage



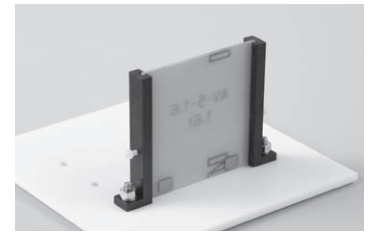
WVS-1-□-M3



WVS-2-□-M3



WVS-1-□-3.2

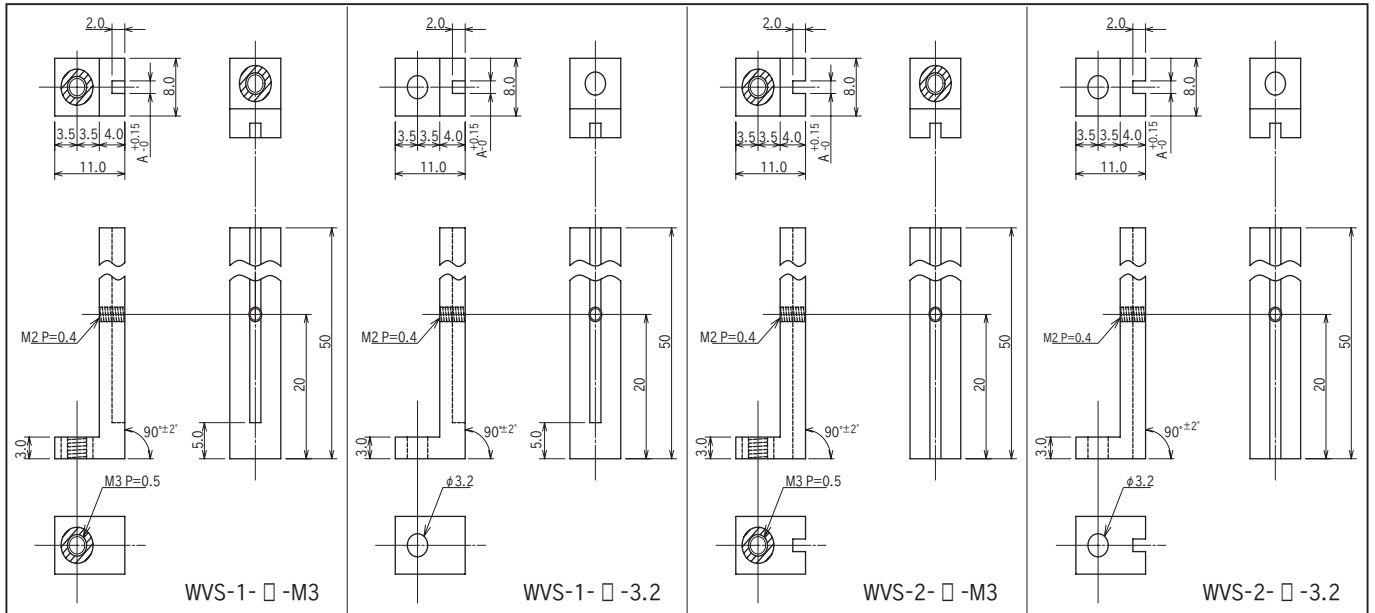


WVS-2-□-3.2

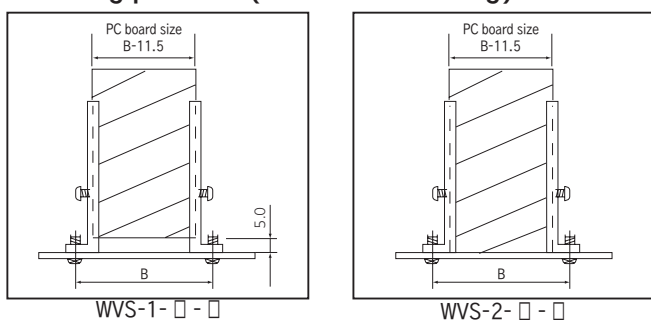
■ Part No.

| Part No.      | A    | Adaptive PC board thickness |
|---------------|------|-----------------------------|
| WVS-1-1.6-M3  | 1.75 | 1.6                         |
| WVS-1-1.0-M3  | 1.15 | 1.0                         |
| WVS-1-0.6-M3  | 0.75 | 0.6                         |
| WVS-1-1.6-3.2 | 1.75 | 1.6                         |
| WVS-1-1.0-3.2 | 1.15 | 1.0                         |
| WVS-1-0.6-3.2 | 0.75 | 0.6                         |
| WVS-2-1.6-M3  | 1.75 | 1.6                         |
| WVS-2-1.0-M3  | 1.15 | 1.0                         |
| WVS-2-0.6-M3  | 0.75 | 0.6                         |
| WVS-2-1.6-3.2 | 1.75 | 1.6                         |
| WVS-2-1.0-3.2 | 1.15 | 1.0                         |
| WVS-2-0.6-3.2 | 0.75 | 0.6                         |

■ Dimension



■ Fitting position (reference drawing)



■ Instructions for use

- Please don't screw M2 with strong force, otherwise this part will open.
- Please do the screwing at the point that screw contacts the PCB. (Please fix the screw by the screw-lock)