

Colored test point for automatic for SMT [GHS series]

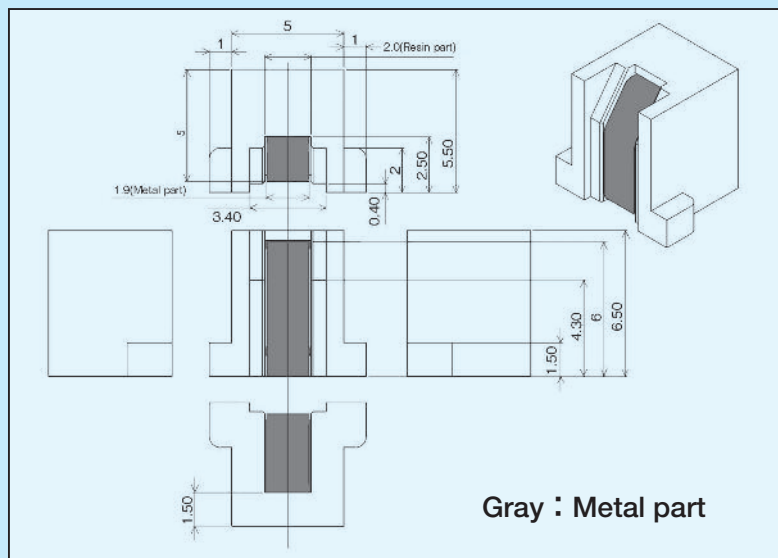
- A chip mounter can be used for this check terminal.
- There are 6 colors. Each signal line can be color-coded.
- Possible to put tester lead from side or oblique upward.
- Material metal part: Phosphor bronze
Resin part: Nylon9T(UL94V-0)
- Finish GHS-2.0-G: Gold plating over nickel base
GHS-2.0-S: Tin plating over nickel base
- Resin color: Black, Red, Yellow, Green, Blue, White

Part number

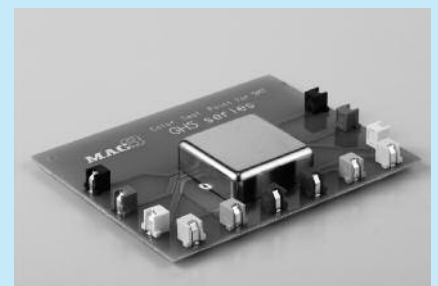
Part number	Packing state
GHS-2.0-G-□	Bulk (100pcs/pack)
GHS-2.0-G-T-□	Reel (400pcs/reel)
GHS-2.0-S-□	Bulk (100pcs/pack)
GHS-2.0-S-T-□	Reel (400pcs/reel)

□ : Color designation

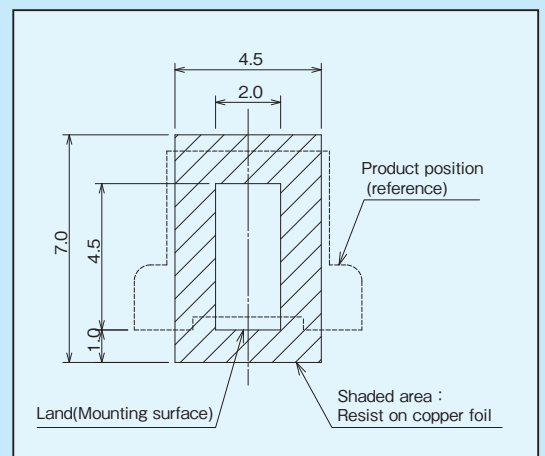
Dimensional drawing



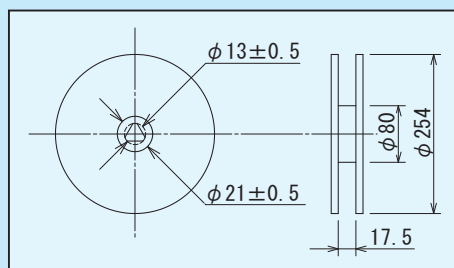
Example of use



Recommended land diameter



Reel dimensions



Tape dimensions

