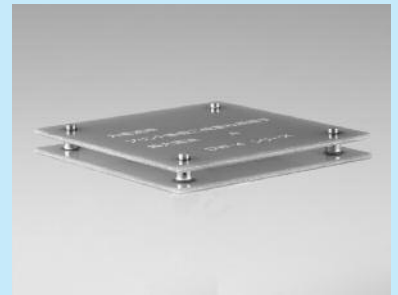


Two-tiered pin for high current [DW-4 series] (100 pcs / pack)

- Please use when stacking high current printed circuit boards in two tiered.
- Rated current: 60A
- Material: Copper
- Finish: Tin plating over nickel base



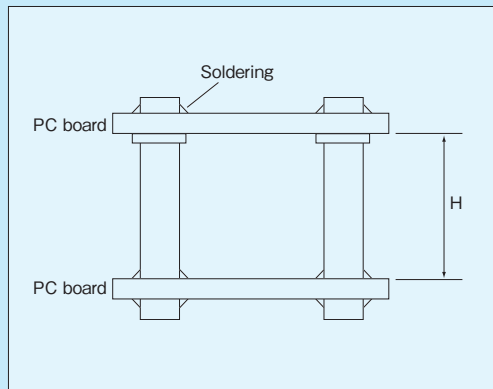
Example of use



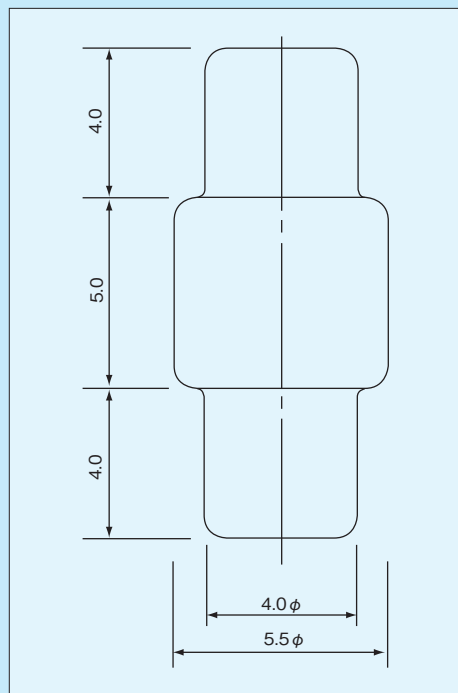
Part number

Part number	L (mm)	H (mm)
DW-4-5	5	5
DW-4-8	8	8
DW-4-10	10	10
DW-4-15	15	15
DW-4-20	20	20
DW-4-25	25	25
DW-4-30	30	30
DW-4-35	35	35
DW-4-40	40	40

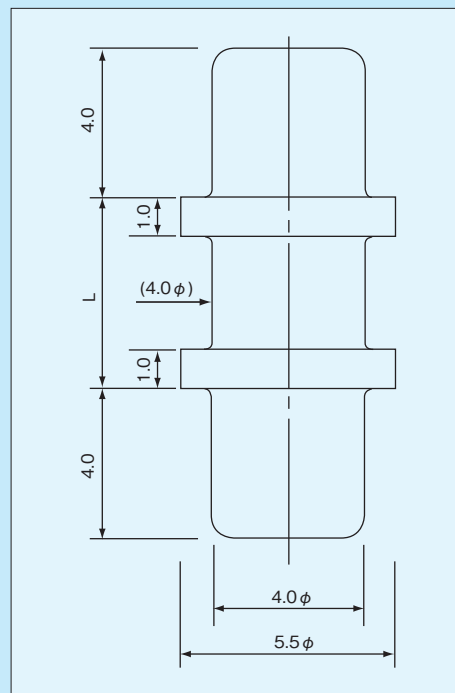
Reference drawing



Dimensional drawing

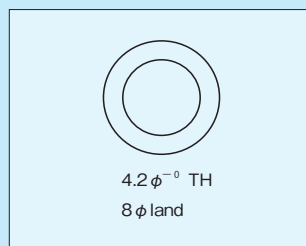


DW-4-5



DW-4-8~40

(Reference)Fitting land



Pin for high current