

Angle pin for high current

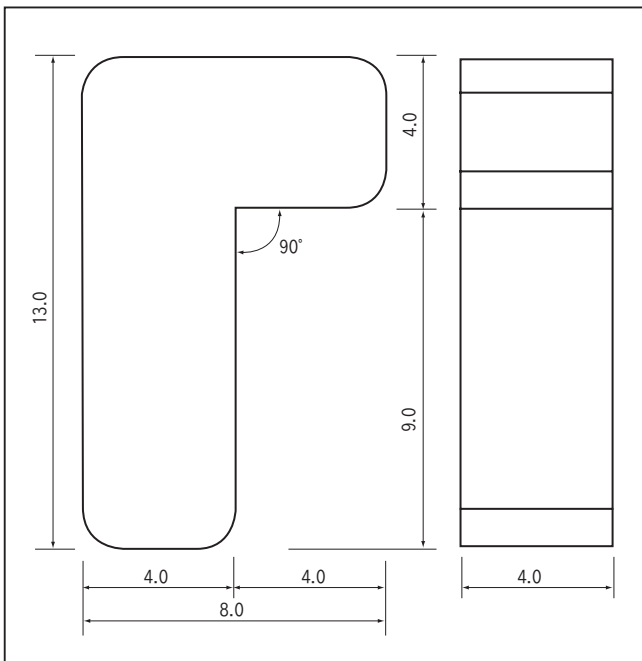
DWA-4-9 (100 pcs / pack)

- Angle pin for high current.
- Possible to fit 2PCB in vertical.
- Rated current: 100A
- Material: Copper
- Finish: Tin plating over nickel base

■ Part No.: DWA-4-9



■ Dimensional drawing



■ Example of usage



■ (Reference) Recommended land information

