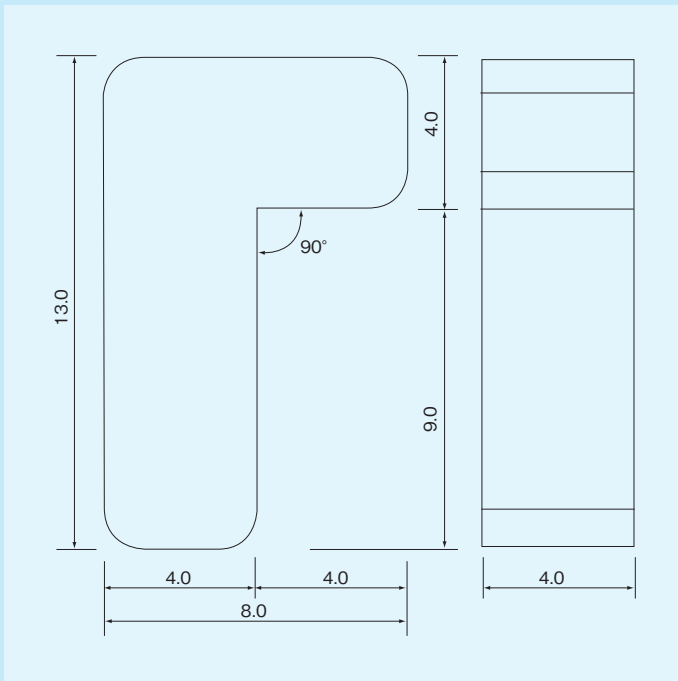


Angle pin for high current [DWA-4-9] (100 pcs / pack)

- Angle pin for high current.
- Possible to fit 2PCB in vertical.
- Rated current: 100A
- Material: Copper
- Finish: Tin plating over nickel base

■Part number: DWA-4-9

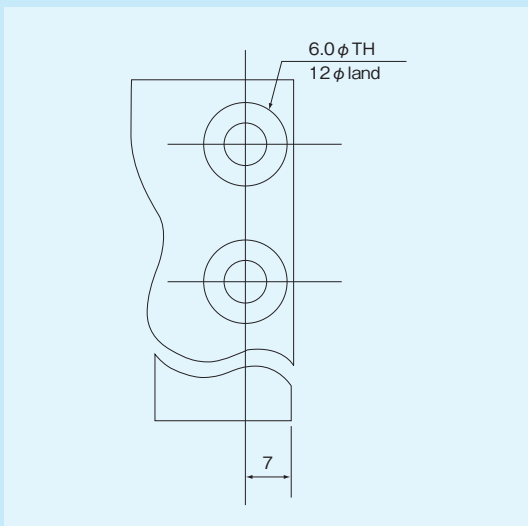
■Dimensional drawing



■Example of usage



■(Reference)Fitting land



Pin for high current