

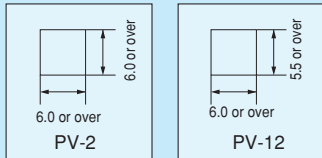
Power supply terminal for surface mounting [PV-2, PV-12 series]

- This is used for supplying power to a surface mounting board.
- Please fit a crimping terminal (for M2) at the edge of electric wire and tighten with a M2 screw.
- Material: Brass
- Finish: Tin plating over nickel base
- Rated current: 20A

Part number

Part number	Package
PV-2	Bulk (100pcs/package)
PV-2-T	Reel (800pcs/reel)
PV-12	Bulk (100pcs/package)
PV-12-T	Reel (600pcs/reel)

Recommended land diameter



Recommended cream solder thickness

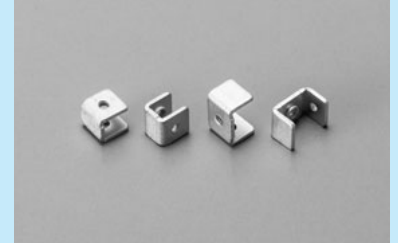
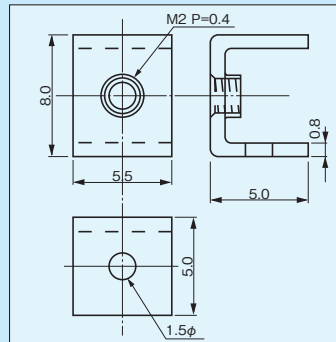
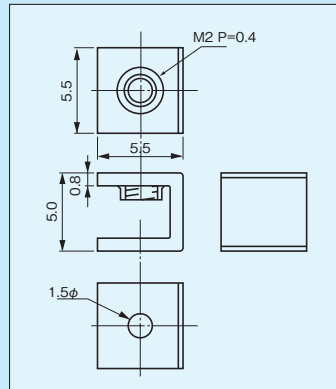
150 μ to 200 μ

Tightening torque

1.5kgf-cm (14.7N-cm) or less

Instructions for use

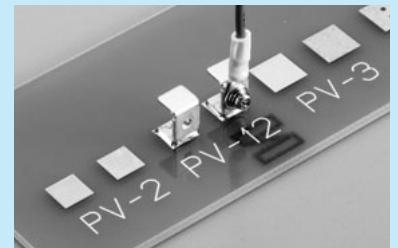
Adsorption film is put on the screw head part of the PV-2-T.
Please remove the film after reflow.



Example of usage

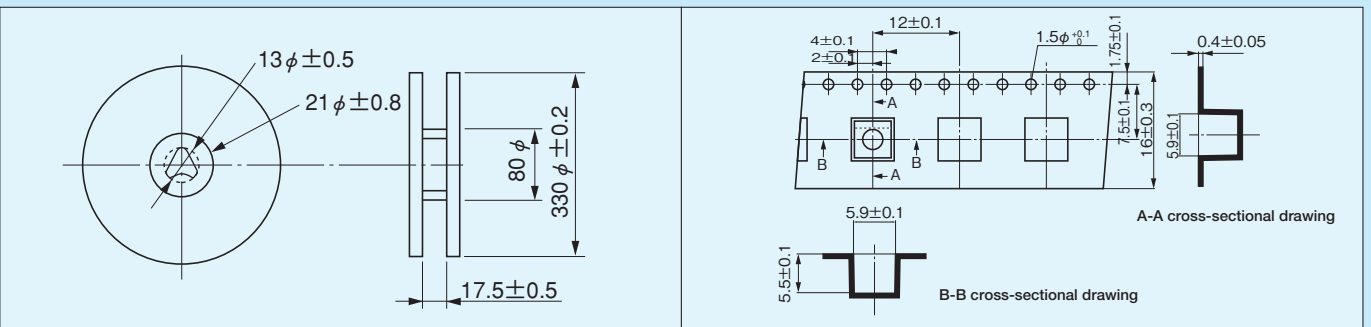


PV-2



PV-12

Dimension of PV-2-T



Dimension of PV-12-T

