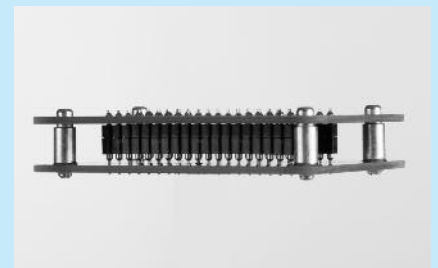
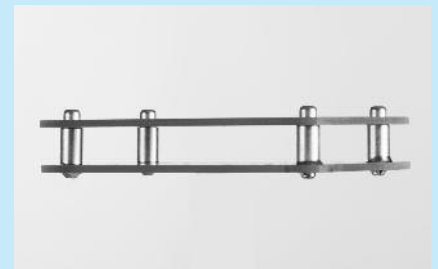


Positioning pin[PST-4series] (100pcs/pack)

- This can be used for positioning when making two tiered PCB.
- This can prevent pin-bentness when inserting and removing, and making two-tiered.
- This can use with spring probe.
- material.....Brass
- Finish.....Tin plating over Ni base
- Operating temperature range.....-40~+150°C
- Recommended land diameter.....3.0 φ TH hole land diameter 6 φ or over φ
- Daughter board side recommended hole diameter.....4.0 φ⁻⁰



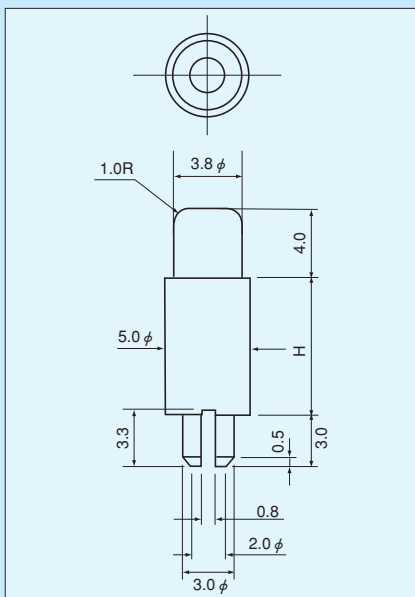
■ Example of usage



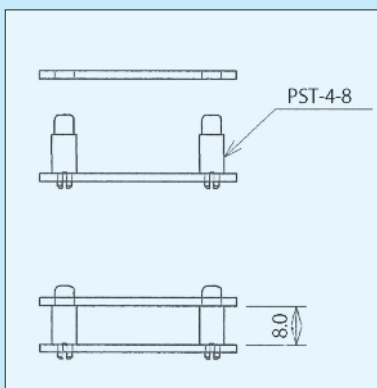
■ Part number

品番	H
PST-4-5	5.0
PST-4-6	6.0
PST-4-7	7.0
PST-4-8	8.0
PST-4-9	9.0
PST-4-10	10

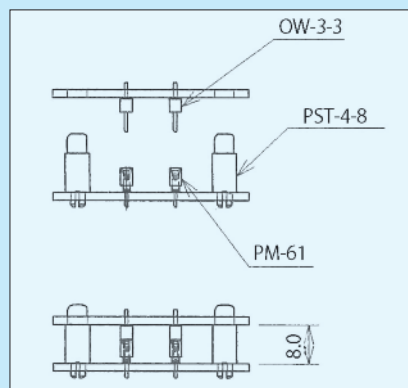
■ Dimension



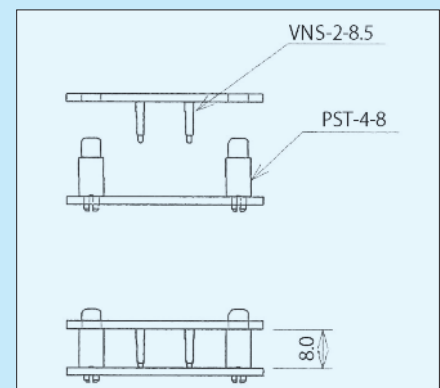
■ Example of usage



Use as a Positioning the PCB



Use as a terminal for two-tiered



Use as a spring probe

For parallel two-tiered installation