

Socket(both direction)[PDB series] (100pcs/pack)

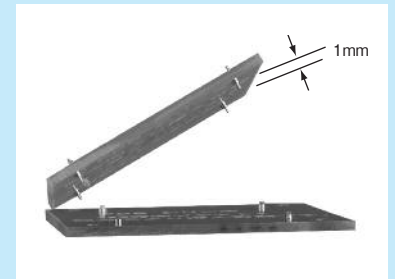
- This can be inserted to both part-surface and soldered-surface.
- From soldered-surface, the male pin can contact by its length 1mm
(The holding force is weak, so there needs to be beat down by cable tie.)
- Material BodyBrass
ContactBeryllium copper
- Finish BodyTin plating over Ni base
ContactGold plating over Ni base
- Contact resistance 10mΩ or less
- Insertion/removal frequency 100 times or over
- Insertion/removal forces 70g or over (PDB-05-2.6)
.....100g or over (PDB-10-3)
- Operating temperature range -40~+125°C
- Adaptive printed board thickness ... 1.6 t or less



Example of usage



From part-surface (PDB-05-2.6)



From soldered-surface (PDB-05-2.6)

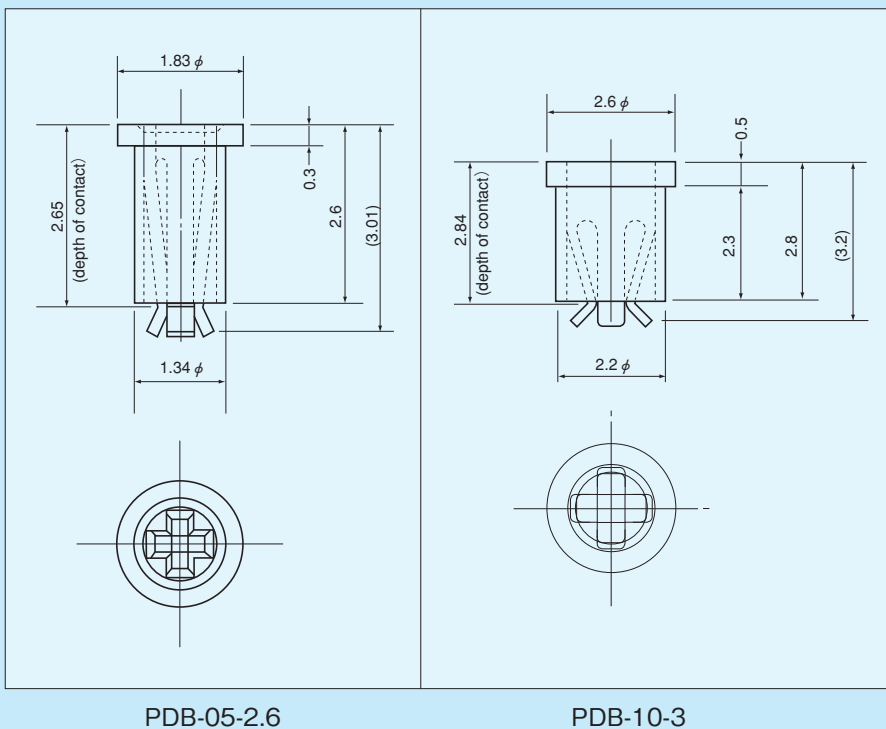


From soldered-surface (PDB-05-2.6)

Part number

Part number	Adaptive male pin diameter	Male pin contact point		Printed board fitting hold diameter	Package
		Part-surface side	soldered-surface side		
PDB-05-2.6	0.45~0.6 φ	2.65	0.5	1.5 φ	100pcs/pack
PDB-10-3	0.9~1.0 φ	2.84	0.5	2.3 φ	100pcs/pack

Dimension



PDB-05-2.6

PDB-10-3

Attention

When soldering, please pay attention not to flow the solder to the contact part.
(It's better to solder from the part-surface.)