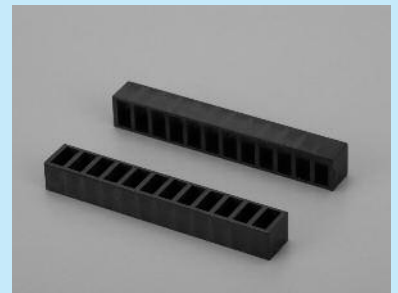
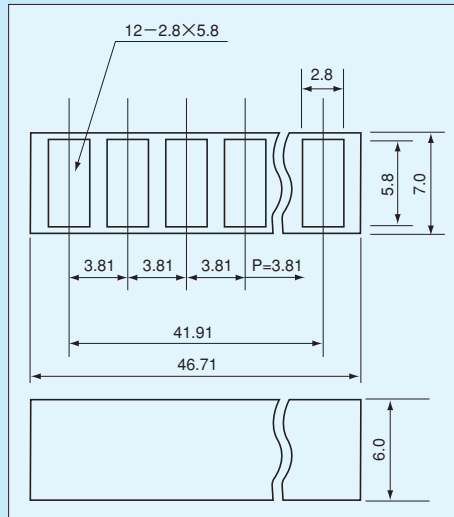


Mounting plate for SMT LED light shielding [Part number LDM-3-6] (10pcs/pack)

- This part can block out next to each other SMT LED light.
- There are Z methods to fix the part to the cable.
 - Fix by adhesive. Use the fixing clasp. (part number LDM-6-F)
- This part is not designed with considering the heat of LED.
- LED fixing pitch...3.81mm
- Material...PPS resin black (UL94V-0)
- Operating temperature range
 --40~+125°C

Dimension



Example of usage



In case of using adhesive

How to order (10pcs/pack)

LDM-3-6-□P

↑ Please fill in the number of poles. (Maximum number 12P)

- In case of using fixing clasp. LED can not be used at both side because the fixing clasp will be inserted.(When placing do of 12pin type, LED can be fixed 10pcs.)

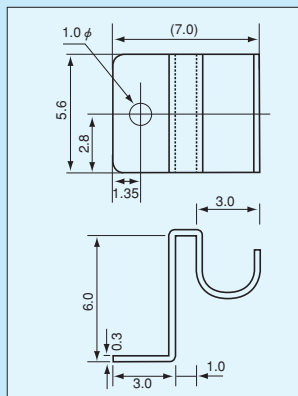
Fixing clasp (part number LDM-6-F) (10pcs/pack)

- Please push the clasp into the Window.
- And please solder the clasp and fix.

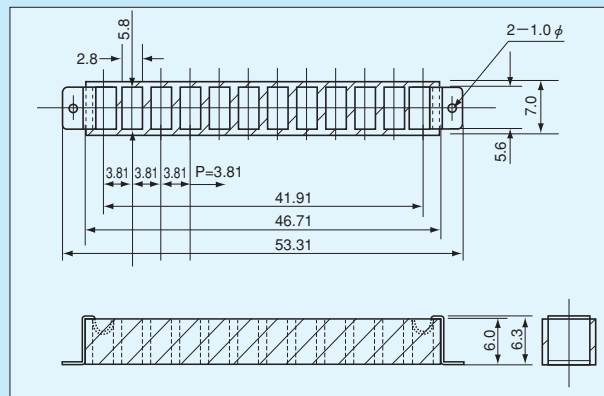


LDM-6-F

Dimension



Installing drawing

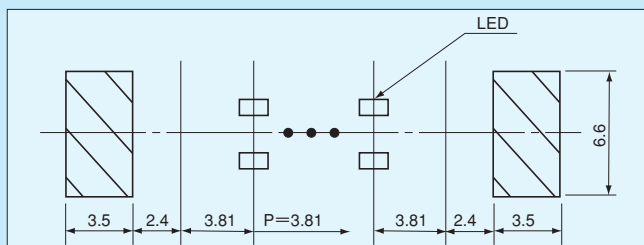


Example of usage



With fixing clasp

Recommended land diameter



Fixing clasp with soldering

For Surface mounting