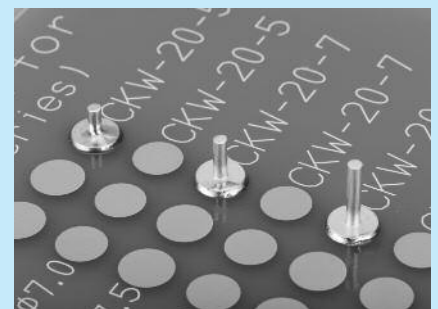


**Terminal for mounting[CKW series] (1000pcs/pack)**

- This can be fixed to surface mounted board
- The flange for fixing is big size.
- Material.....Brass
- Finish.....Tin plating over Ni base
- Rated curren
  - CKW-10 series.....7A
  - CKW-15 series.....12A
  - CKW-20 series.....20A



**Example of usage**

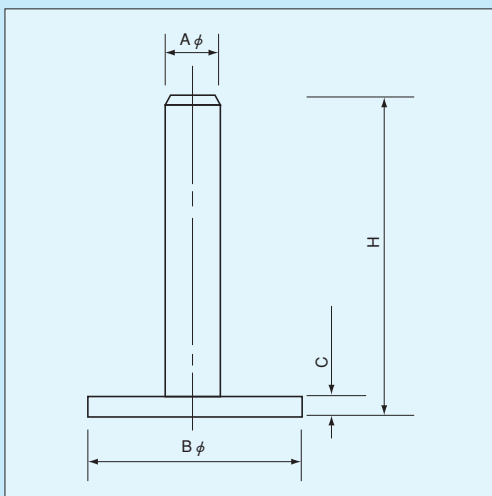


**Part number**

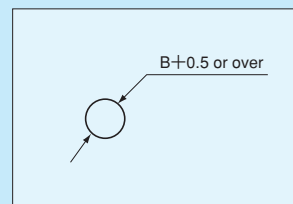
品番	A (φ)	B (φ)	C	H
CKW-10- 5	1.0	4.0	0.4	5
CKW-10- 7	1.0	4.0	0.4	7
CKW-10-10	1.0	4.0	0.4	10
CKW-15- 5	1.5	5.0	0.65	5
CKW-15- 7	1.5	5.0	0.65	7
CKW-15-10	1.5	5.0	0.65	10
CKW-20- 5	2.0	7.0	0.65	5
CKW-20- 7	2.0	7.0	0.65	7
CKW-20-10	2.0	7.0	0.65	10

For surface mounting

**Dimension**



**Recommended land diameter**



- Tape-and-reel package version will be released with in days.