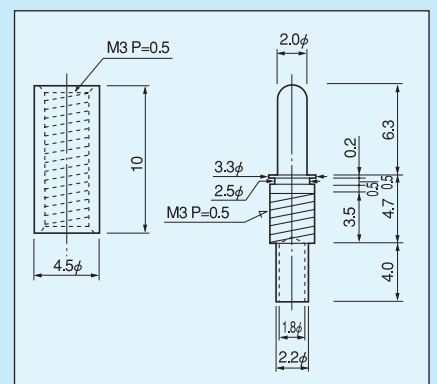


Male pin for HH-5 [Part number: OP-50-2] (10pcs/pack)

- This male pin is used for the power supply connector for surface mounting (HH-5 series).
- Please use the electric wire by soldering or crimping.
- For crimping, please use the edge tool (Part number: X-9) of the crimping tool (Part number OMXT-1).
- The six resin colors, black, red, yellow, green, blue and white, are available.
- Material Pin part: Brass
- Resin part: Acetal copolymer (UL94HB)
- Finish: Gold plating over nickel base
- Rated current: 20A
- Electric wire diameter that can be fit: Thinner than AWG18

How to order

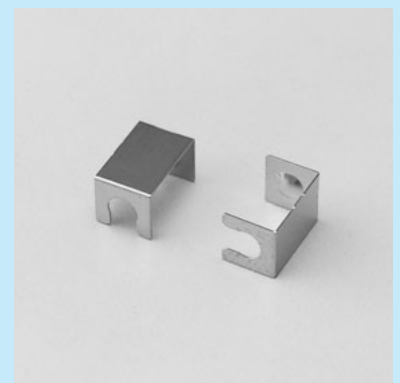
OP-50-2 Red
 Please specify the color.
 (Black, red, yellow, green, blue or white)



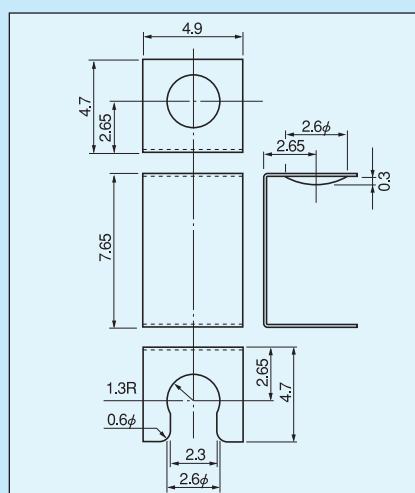
Metal lock fitting for HH-5 [Part number: HH-5-R] (100pcs/pack)

- This product is a metal fitting to prevent the male pin (OP-50-2) which is attached to the power supply connector for surface mounting (HH-5 series) from being taken off.
- This is used to prevent a pin from being taken off on a place with vibration and to increase the reliability.
- When removing, please insert the tweezer edge in the space on the upper part to raise and take it off.
- Material: Beryllium copper
- Finish: Nickel plating

Part number:HH-5-R



For surface mounting



Example of usage

