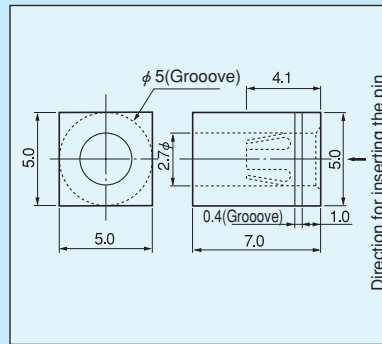
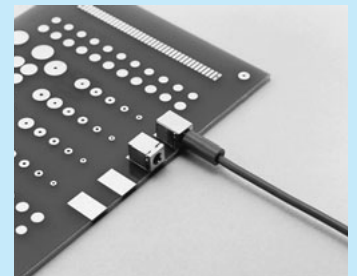


Power supply connector for surface mounting [HH-5 series]

- This connector is used for supplying power to a surface mounting board.
- Please use OP-50-2 for the male side.
- By using HH-5-R (metal lock fitting) for OP-50-2, it will not be taken off even if it is pulled.
- Material
 - Body: Brass
 - Contact part: Beryllium copper
- Finish
 - HH-5-G Body: Gold plating over nickel base
 - Contact part: Gold plating over nickel base
 - HH-5-SN Body: Tin plating over nickel base
 - Contact part: Gold plating over nickel base
- Specification
 - Rated current: 20A
 - Contact resistance: 10mΩ or less
 - Insertion / removal frequency: 100 times or over
 - Insertion / removal forces: 150g or over
 - Adaptive male pin diameter: φ 1.7 to φ 2.1
 - Operating temperature range: -40 to +125°C

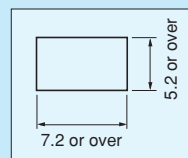


Example of usage



When OP-50-2 and HH-5-R (metal lock fitting) are used

Recommended land diameter



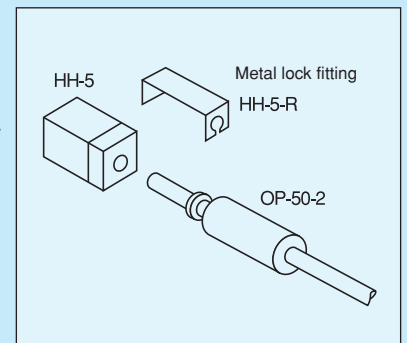
Part number

Part number	Package
HH-5-G	Bulk (100pcs/pack)
HH-5-G-T	Reel (300pcs/reel)
HH-5-SN	Bulk (100pcs/pack)
HH-5-SN-T	Reel (300pcs/reel)

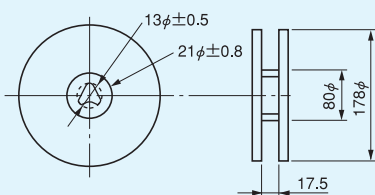
Instructions for use

- Please be careful of the direction for inserting the pin.

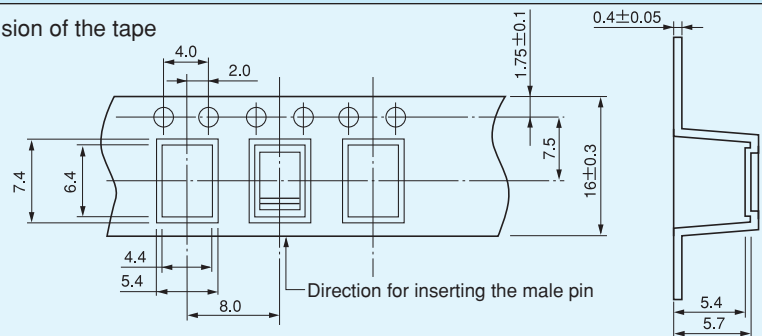
The groove side is the direction for inserting the male pin.



Dimension of the reel



Dimension of the tape



For surface mounting