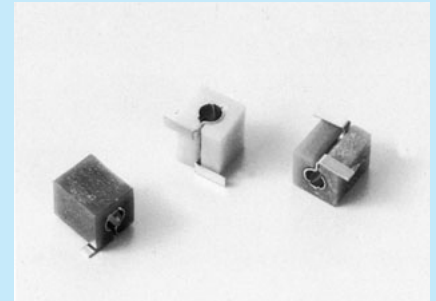
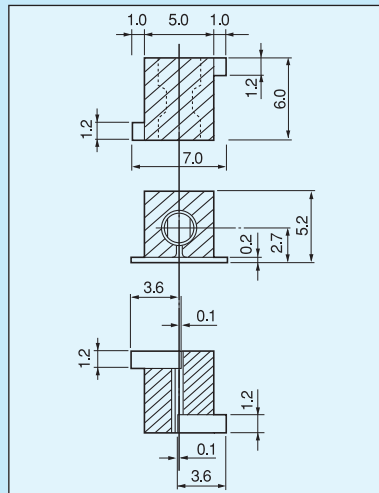
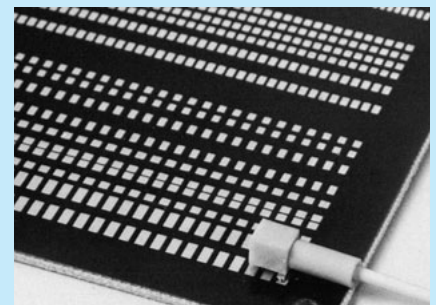


**Jack for surface mounting [Part number: JH-1] (200pcs/reel) (10pcs/pack)**

- A chip moulder can be used for this jack.
- This is used for checking a signal line and power supply line.
- This is adaptive for the plug of  $\phi 2.0$  (It can be inserted from the horizontal direction.)
- Plugs of OP-7-1, OP-7-2 and OP-7-2-100 (with electric wire) are available.
- Material Socket part: Body: Phosphor bronze  
Resin part: Fluorine (UL94V-0)
- Finish: Gold plating over nickel base
- Resin color: Black, red, yellow, green, blue, white
- Adaptive male pin diameter:  $\phi 2.0$
- Insertion forces: 1500g or less
- Removal forces: 100g or over
- Insertion / removal frequency: 100 times or over
- Rated current: 5A
- Contact resistance: 10m $\Omega$  or less
- Insulation resistance: 1000M $\Omega$  or over
- Withstand voltage: 1000V AC, DC per minute
- Operating temperature range: -55 to +200 $^{\circ}$ C

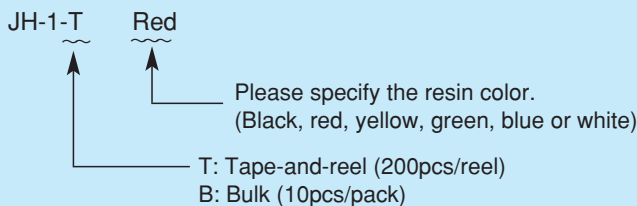


**Example of usage**

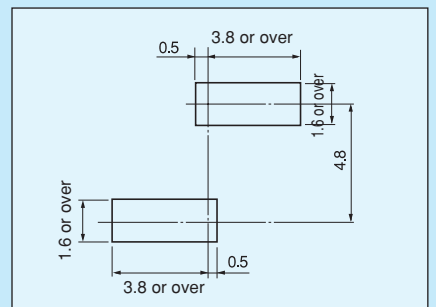


Combination of JH-1 and OP-7-2-100

**How to order:**



**Recommended land diameter**



For surface mounting

