

Vertical fitting mount for PC board [AG series] (10pcs/pack)

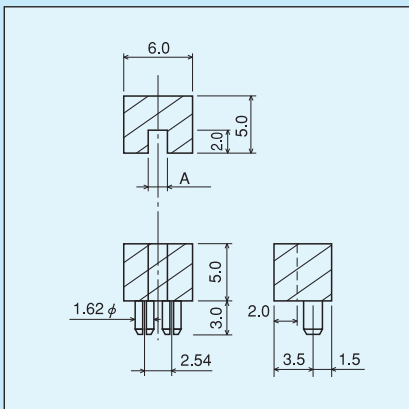
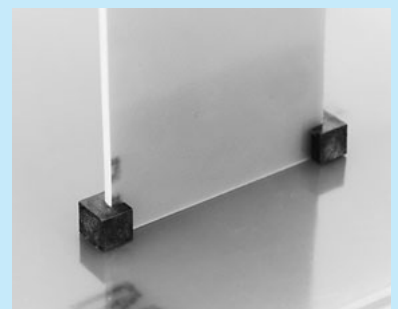
- This fitting mount is used for supporting when fitting a PC board vertically to a PC board.
- Material Resin part: PPS black (UL94V-0)
Pin part: Brass (Tin plating over nickel base)
- Operating temperature range: -40 to +125°C

■ Part number

Part number	A	Adaptive printed board thickness (mm)
AG-0.6	0.7	0.6
AG-0.8	0.9	0.8
AG-1.0	1.1	1.0
AG-1.2	1.3	1.2
AG-1.6	1.7	1.6



■ Example of usage



■ Recommended fitting land

