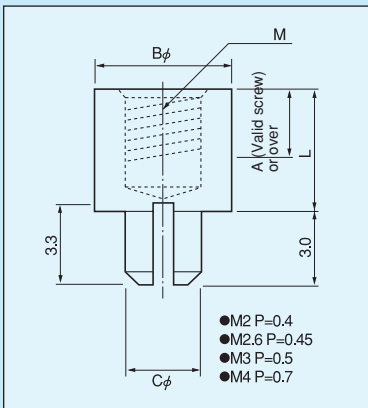


**Spacer for soldering [□PB series] (100pcs/pack)**

- This spacer is used for soldering on one side.
- By fitting a crimping terminal to an electric wire, power can be supplied.
- Material: Brass
- Finish: Tin plating over nickel base
- Rated current
  - 2PB series: 20A
  - 2.6PB series: 20A
  - 3PB series: 30A
  - 4PB series: 30A

**Dimension**



**Recommended land diameter**

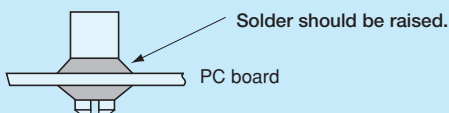
- 2PB series: through hole of  $\phi 2.0^{+0.1}_{-0}$ , land diameter of  $\phi 5$  or over
- 2.6PB series: through hole of  $\phi 3.0^{+0.1}_{-0}$ , land diameter of  $\phi 6$  or over
- 3PB series: through hole of  $\phi 3.0^{+0.1}_{-0}$ , land diameter of  $\phi 6.5$  or over
- 4PB series: through hole of  $\phi 3.0^{+0.1}_{-0}$ , land diameter of  $\phi 8$  or over

**Tightening torque**

- 2PB series: 1.5 kgf-cm (14.7N-cm) or less
- 2.6PB series: 4 kgf-cm (39.2N-cm) or less
- 3PB series: 6 kgf-cm (58.8N-cm) or less
- 4PB series: 6 kgf-cm (58.8N-cm) or less

**Instructions for use**

- The use of this product is limited to a through hole board. (This product cannot be used for a one-sided board.)
- Please confirm that solder is securely raised to the part face. (If not, the tightening torque described above will not be guaranteed.)

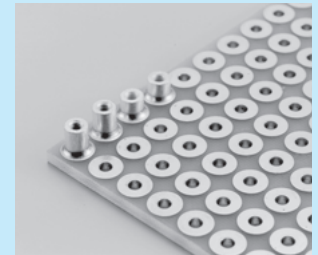


**Part number**

Part number	L	A	B	C	M
2PB- 4	4	2.5	4	2	M2
2PB- 5	5	3	4	2	M2
2PB- 6	6	4	4	2	M2
2PB- 7	7	5	4	2	M2
2PB- 8	8	5	4	2	M2
2PB- 9	9	5	4	2	M2
2PB-10	10	5	4	2	M2
2PB-11	11	5	4	2	M2
2PB-12	12	5	4	2	M2
2PB-13	13	5	4	2	M2
2PB-14	14	5	4	2	M2
2PB-15	15	5	4	2	M2
2.6PB-5	5	2.5	5	3	M2.6
2.6PB-6	6	3.5	5	3	M2.6
2.6PB-7	7	4.5	5	3	M2.6
2.6PB-8	8	5.5	5	3	M2.6
2.6PB-9	9	6.5	5	3	M2.6
2.6PB-10	10	7	5	3	M2.6
2.6PB-11	11	7	5	3	M2.6
2.6PB-12	12	7	5	3	M2.6
2.6PB-13	13	7	5	3	M2.6
2.6PB-14	14	7	5	3	M2.6
2.6PB-15	15	7	5	3	M2.6
3PB- 5	5	2.5	5.5	3	M3
3PB- 6	6	3.5	5.5	3	M3
3PB- 7	7	4.5	5.5	3	M3
3PB- 8	8	5.5	5.5	3	M3
3PB- 9	9	6.5	5.5	3	M3
3PB-10	10	7	5.5	3	M3
3PB-11	11	7	5.5	3	M3
3PB-12	12	7	5.5	3	M3
3PB-13	13	7	5.5	3	M3
3PB-14	14	7	5.5	3	M3
3PB-15	15	7	5.5	3	M3
4PB- 6	6	3	7	3	M4
4PB- 7	7	4	7	3	M4
4PB- 8	8	5	7	3	M4
4PB- 9	9	6	7	3	M4
4PB-10	10	7	7	3	M4
4PB-11	11	7	7	3	M4
4PB-12	12	7	7	3	M4
4PB-13	13	7	7	3	M4
4PB-14	14	7	7	3	M4
4PB-15	15	7	7	3	M4



**Example of usage**



When it is fit to a PC board



When a crimping terminal is fit