

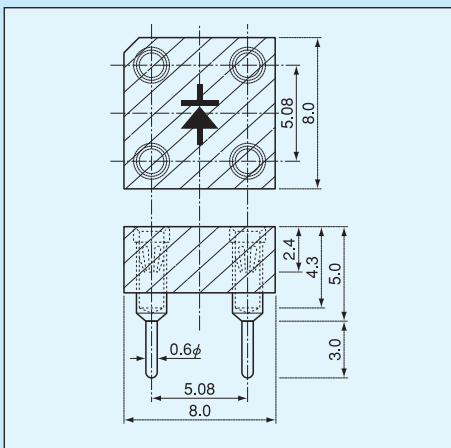
LED socket (square shape) [Part number: LQ-4-5] (10pcs/pack)

- This socket is used for a square-shaped LED.
- This is used for testing, etc.
- Material
 - Resin part: PPS black (UL94V-0)
 - Socket part Body: Brass
 - Contact: Beryllium copper
 - Finish: Gold plating over nickel base
- Rated current: 3A
- Rated voltage: 125V AC, DC
- Contact resistance: 10 mΩ or less (per pin)
- Insulation resistance: 500 MΩ or over
- Withstand voltage: 1000V AC, DC per minute
- Insertion / removal frequency: 100 times or over
- Insertion / removal forces: 70g or over (per pin)
- Operating temperature range: -40 to + 125 °C
- Adaptive male pin diameter: $\phi 0.6$ to $\phi 0.8$

0.5□~0.64□ 0.4×0.76

Part number

LQ-4-5

Dimension**Example of usage**