

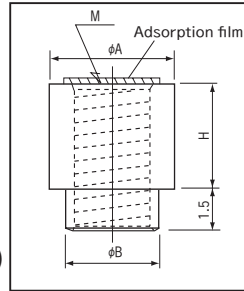
Through hole tap (inch type)

**TH-1.6 series**

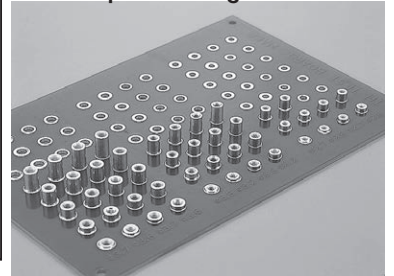
- A chip mounter can be used for this spacer.
- A spacer can be fit on a PC board just by automatically loading it on the PC board and carrying out with reflow.
- It can be fit from the part face, soldering face and both sides.
- Tape-and-reel has an adsorption film. Please remove by pushing it from the oppo site side after reflow.
- The jig for removing adsorption films (Part No.: TH-JIG) is available.
- Material: Brass
- Finish: Tin plating over nickel base
- Rated current:
  - TH-1.6-□ -2-56 .....20A
  - TH-1.6-□ -4-40 .....30A
  - TH-1.6-□ -6-32 .....40A
- Tightening torque:
  - TH-1.6-□ -2-56.....3kgf-cm (29.4N-cm) or less
  - TH-1.6-□ -4-40.....5kgf-cm (49N-cm) or less(X-direction)  
3kgf-cm (29.4N-cm) or less(Y-direction)
  - TH-1.6-□ -6-32.....8kgf-cm (78.4N-cm) or less
- Adaptive printed board thickness: t1.6 or over  
(There is no problem if it is used for other board thickness.)
- Please use the automatic munter of automatic recognition type.



■ Dimension



■ Example of usage

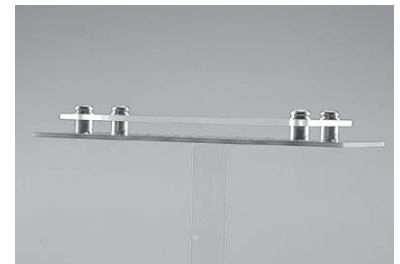


With the adsorption film removed after reflow

■ Part No.

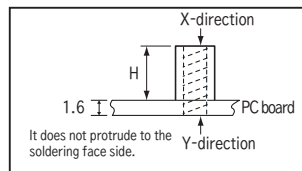
| Part No.        | A   | B   | H   | M    | quantity per reel |
|-----------------|-----|-----|-----|------|-------------------|
| TH-1.6-0.5-2-56 | 4.5 | 3.1 | 0.5 | 2-56 | 450 pcs           |
| TH-1.6-1.0-2-56 | 4.5 | 3.1 | 1.0 | 2-56 | 450 pcs           |
| TH-1.6-1.5-2-56 | 4.5 | 3.1 | 1.5 | 2-56 | 450 pcs           |
| TH-1.6-2.0-2-56 | 4.5 | 3.1 | 2.0 | 2-56 | 450 pcs           |
| TH-1.6-2.5-2-56 | 4.5 | 3.1 | 2.5 | 2-56 | 350 pcs           |
| TH-1.6-3.0-2-56 | 4.5 | 3.1 | 3.0 | 2-56 | 350 pcs           |
| TH-1.6-3.5-2-56 | 4.5 | 3.1 | 3.5 | 2-56 | 350 pcs           |
| TH-1.6-4.0-2-56 | 4.5 | 3.1 | 4.0 | 2-56 | 250 pcs           |
| TH-1.6-4.5-2-56 | 4.5 | 3.1 | 4.5 | 2-56 | 250 pcs           |
| TH-1.6-5.0-2-56 | 4.5 | 3.1 | 5.0 | 2-56 | 250 pcs           |
| TH-1.6-5.5-2-56 | 4.5 | 3.1 | 5.5 | 2-56 | 350 pcs           |
| TH-1.6-6.0-2-56 | 4.5 | 3.1 | 6.0 | 2-56 | 350 pcs           |
| TH-1.6-6.5-2-56 | 4.5 | 3.1 | 6.5 | 2-56 | 300 pcs           |
| TH-1.6-7.0-2-56 | 4.5 | 3.1 | 7.0 | 2-56 | 300 pcs           |
| TH-1.6-7.5-2-56 | 4.5 | 3.1 | 7.5 | 2-56 | 300 pcs           |
| TH-1.6-8.0-2-56 | 4.5 | 3.1 | 8.0 | 2-56 | 300 pcs           |
| TH-1.6-8.5-2-56 | 4.5 | 3.1 | 8.5 | 2-56 | 250 pcs           |
| TH-1.6-9.0-2-56 | 4.5 | 3.1 | 9.0 | 2-56 | 250 pcs           |
| TH-1.6-9.5-2-56 | 4.5 | 3.1 | 9.5 | 2-56 | 250 pcs           |
| TH-1.6-10-2-56  | 4.5 | 3.1 | 10  | 2-56 | 250 pcs           |
| TH-1.6-0.5-4-40 | 5.0 | 3.5 | 0.5 | 4-40 | 450 pcs           |
| TH-1.6-1.0-4-40 | 5.0 | 3.5 | 1.0 | 4-40 | 450 pcs           |
| TH-1.6-1.5-4-40 | 5.0 | 3.5 | 1.5 | 4-40 | 450 pcs           |
| TH-1.6-2.0-4-40 | 5.0 | 3.5 | 2.0 | 4-40 | 450 pcs           |
| TH-1.6-2.5-4-40 | 5.0 | 3.5 | 2.5 | 4-40 | 350 pcs           |
| TH-1.6-3.0-4-40 | 5.0 | 3.5 | 3.0 | 4-40 | 350 pcs           |
| TH-1.6-3.5-4-40 | 5.0 | 3.5 | 3.5 | 4-40 | 350 pcs           |
| TH-1.6-4.0-4-40 | 5.0 | 3.5 | 4.0 | 4-40 | 250 pcs           |
| TH-1.6-4.5-4-40 | 5.0 | 3.5 | 4.5 | 4-40 | 250 pcs           |
| TH-1.6-5.0-4-40 | 5.0 | 3.5 | 5.0 | 4-40 | 250 pcs           |
| TH-1.6-5.5-4-40 | 5.0 | 3.5 | 5.5 | 4-40 | 350 pcs           |
| TH-1.6-6.0-4-40 | 5.0 | 3.5 | 6.0 | 4-40 | 350 pcs           |
| TH-1.6-6.5-4-40 | 5.0 | 3.5 | 6.5 | 4-40 | 300 pcs           |
| TH-1.6-7.0-4-40 | 5.0 | 3.5 | 7.0 | 4-40 | 300 pcs           |
| TH-1.6-7.5-4-40 | 5.0 | 3.5 | 7.5 | 4-40 | 300 pcs           |
| TH-1.6-8.0-4-40 | 5.0 | 3.5 | 8.0 | 4-40 | 300 pcs           |
| TH-1.6-8.5-4-40 | 5.0 | 3.5 | 8.5 | 4-40 | 250 pcs           |
| TH-1.6-9.0-4-40 | 5.0 | 3.5 | 9.0 | 4-40 | 250 pcs           |
| TH-1.6-9.5-4-40 | 5.0 | 3.5 | 9.5 | 4-40 | 250 pcs           |
| TH-1.6-10-4-40  | 5.0 | 3.5 | 10  | 4-40 | 250 pcs           |

| Part No.        | A   | B   | H    | M    | quantity per reel |
|-----------------|-----|-----|------|------|-------------------|
| TH-1.6-2.0-6-32 | 7.0 | 5.5 | 2.0  | 6-32 | 250 pcs           |
| TH-1.6-2.5-6-32 | 7.0 | 5.5 | 2.5  | 6-32 | 200 pcs           |
| TH-1.6-3.0-6-32 | 7.0 | 5.5 | 3.0  | 6-32 | 200 pcs           |
| TH-1.6-3.5-6-32 | 7.0 | 5.5 | 3.5  | 6-32 | 450 pcs           |
| TH-1.6-4.0-6-32 | 7.0 | 5.5 | 4.0  | 6-32 | 450 pcs           |
| TH-1.6-4.5-6-32 | 7.0 | 5.5 | 4.5  | 6-32 | 300 pcs           |
| TH-1.6-5.0-6-32 | 7.0 | 5.5 | 5.0  | 6-32 | 300 pcs           |
| TH-1.6-5.5-6-32 | 7.0 | 5.5 | 5.5  | 6-32 | 250 pcs           |
| TH-1.6-6.0-6-32 | 7.0 | 5.5 | 6.0  | 6-32 | 250 pcs           |
| TH-1.6-6.5-6-32 | 7.0 | 5.5 | 6.5  | 6-32 | 200 pcs           |
| TH-1.6-7.0-6-32 | 7.0 | 5.5 | 7.0  | 6-32 | 200 pcs           |
| TH-1.6-7.5-6-32 | 7.0 | 5.5 | 7.5  | 6-32 | 200 pcs           |
| TH-1.6-8.0-6-32 | 7.0 | 5.5 | 8.0  | 6-32 | 200 pcs           |
| TH-1.6-8.5-6-32 | 7.0 | 5.5 | 8.5  | 6-32 | 200 pcs           |
| TH-1.6-9.0-6-32 | 7.0 | 5.5 | 9.0  | 6-32 | 200 pcs           |
| TH-1.6-9.5-6-32 | 7.0 | 5.5 | 9.5  | 6-32 | 150 pcs           |
| TH-1.6-10-6-32  | 7.0 | 5.5 | 10.0 | 6-32 | 150 pcs           |



Condition of fitting the panel to the printed board

■ When it is fit to the PC board



- No2-56 P = 0.4536
- No4-40 P = 0.6350
- No6-32 P = 0.7938

■ To order bulk product

TH-1.6-0.5-4-40-B

Please specify -B.

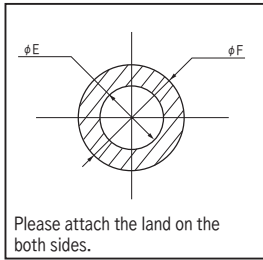
- 100 pieces are included in 1 pack.
- Adsorption films are not put on the bulk products.

▲ Use of a through hole tap is limited to a through hole board.  
(It is impossible to use it for a one-sided board and non through hole board.)

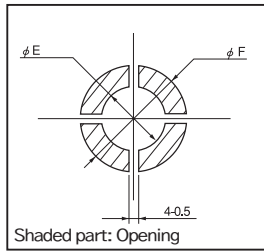
Through hole tap (inch type)

**TH-1.6 series**

■ Recommended land information



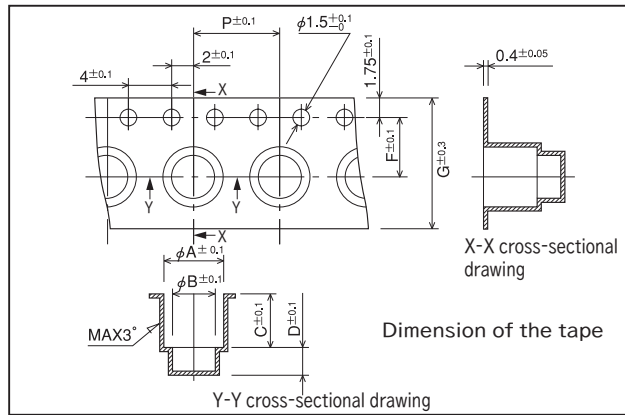
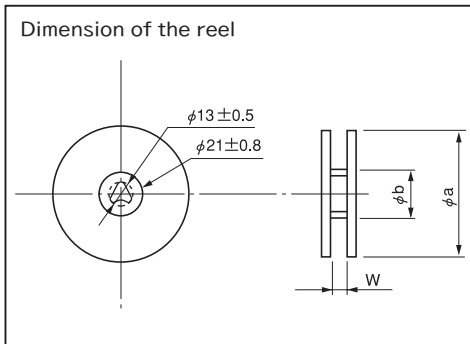
■ Recommended metal mask  
(Recommended metal mask thickness: 150 μm to 200 μm)



| Part No.      | E   | F   |
|---------------|-----|-----|
| TH-1.6-□-2-56 | 3.3 | 5.5 |
| TH-1.6-□-4-40 | 3.7 | 6.0 |
| TH-1.6-□-6-32 | 5.7 | 8.0 |

• If it is bigger than the recommended fitting through hole ( φ E), the torque to the Y-direction (soldering face side) will be decreased. (As the flow of soldering to the through hole is reduced)

■ Dimension of the reel



■ Part No.

| Part No.        | Reel |    |      | Tape |     |      |     |     |    |    |  |
|-----------------|------|----|------|------|-----|------|-----|-----|----|----|--|
|                 | a    | b  | W    | A    | B   | C    | D   | F   | G  | P  |  |
| TH-1.6-0.5-2-56 | 180  | 60 | 13   | 4.8  | 3.4 | 1.3  | 1.7 | 5.5 | 12 | 8  |  |
| TH-1.6-1.0-2-56 | 180  | 60 | 13   | 4.8  | 3.4 | 1.5  | 1.7 | 5.5 | 12 | 8  |  |
| TH-1.6-1.5-2-56 | 180  | 60 | 13   | 4.8  | 3.4 | 2.3  | 1.7 | 5.5 | 12 | 8  |  |
| TH-1.6-2.0-2-56 | 180  | 60 | 13   | 4.8  | 3.4 | 2.3  | 1.7 | 5.5 | 12 | 8  |  |
| TH-1.6-2.5-2-56 | 180  | 60 | 13   | 4.8  | 3.4 | 3.8  | 1.7 | 5.5 | 12 | 8  |  |
| TH-1.6-3.0-2-56 | 180  | 60 | 13   | 4.8  | 3.4 | 3.8  | 1.7 | 5.5 | 12 | 8  |  |
| TH-1.6-3.5-2-56 | 180  | 60 | 13   | 4.8  | 3.4 | 3.8  | 1.7 | 5.5 | 12 | 8  |  |
| TH-1.6-4.0-2-56 | 180  | 60 | 13   | 4.8  | 3.4 | 5.0  | 1.7 | 5.5 | 12 | 8  |  |
| TH-1.6-4.5-2-56 | 180  | 60 | 13   | 4.8  | 3.4 | 5.0  | 1.7 | 5.5 | 12 | 8  |  |
| TH-1.6-5.0-2-56 | 180  | 60 | 13   | 4.8  | 3.4 | 5.0  | 1.7 | 5.5 | 12 | 8  |  |
| TH-1.6-5.5-2-56 | 254  | 80 | 17.5 | 4.8  | 0   | 7.8  | 0   | 7.5 | 16 | 12 |  |
| TH-1.6-6.0-2-56 | 254  | 80 | 17.5 | 4.8  | 0   | 7.8  | 0   | 7.5 | 16 | 12 |  |
| TH-1.6-6.5-2-56 | 254  | 80 | 17.5 | 4.8  | 0   | 8.8  | 0   | 7.5 | 16 | 12 |  |
| TH-1.6-7.0-2-56 | 254  | 80 | 17.5 | 4.8  | 0   | 8.8  | 0   | 7.5 | 16 | 12 |  |
| TH-1.6-7.5-2-56 | 254  | 80 | 17.5 | 4.8  | 0   | 9.8  | 0   | 7.5 | 16 | 12 |  |
| TH-1.6-8.0-2-56 | 254  | 80 | 17.5 | 4.8  | 0   | 9.8  | 0   | 7.5 | 16 | 12 |  |
| TH-1.6-8.5-2-56 | 254  | 80 | 17.5 | 4.8  | 0   | 10.8 | 0   | 7.5 | 16 | 12 |  |
| TH-1.6-9.0-2-56 | 254  | 80 | 17.5 | 4.8  | 0   | 10.8 | 0   | 7.5 | 16 | 12 |  |
| TH-1.6-9.5-2-56 | 254  | 80 | 17.5 | 4.8  | 0   | 11.8 | 0   | 7.5 | 16 | 12 |  |
| TH-1.6-10-2-56  | 254  | 80 | 17.5 | 4.8  | 0   | 11.8 | 0   | 7.5 | 16 | 12 |  |
| TH-1.6-0.5-4-40 | 180  | 60 | 13   | 5.3  | 3.8 | 1.5  | 1.7 | 5.5 | 12 | 8  |  |
| TH-1.6-1.0-4-40 | 180  | 60 | 13   | 5.3  | 3.8 | 1.5  | 1.7 | 5.5 | 12 | 8  |  |
| TH-1.6-1.5-4-40 | 180  | 60 | 13   | 5.3  | 3.8 | 2.3  | 1.7 | 5.5 | 12 | 8  |  |
| TH-1.6-2.0-4-40 | 180  | 60 | 13   | 5.3  | 3.8 | 2.3  | 1.7 | 5.5 | 12 | 8  |  |
| TH-1.6-2.5-4-40 | 180  | 60 | 13   | 5.3  | 3.8 | 3.8  | 1.7 | 5.5 | 12 | 8  |  |
| TH-1.6-3.0-4-40 | 180  | 60 | 13   | 5.3  | 3.8 | 3.8  | 1.7 | 5.5 | 12 | 8  |  |
| TH-1.6-3.5-4-40 | 180  | 60 | 13   | 5.3  | 3.8 | 3.8  | 1.7 | 5.5 | 12 | 8  |  |
| TH-1.6-4.0-4-40 | 180  | 60 | 13   | 5.3  | 3.8 | 5.3  | 1.7 | 5.5 | 12 | 8  |  |
| TH-1.6-4.5-4-40 | 180  | 60 | 13   | 5.3  | 3.8 | 5.3  | 1.7 | 5.5 | 12 | 8  |  |

| Part No.        | Reel |    |      | Tape |     |      |     |      |    |    |  |
|-----------------|------|----|------|------|-----|------|-----|------|----|----|--|
|                 | a    | b  | W    | A    | B   | C    | D   | F    | G  | P  |  |
| TH-1.6-5.0-4-40 | 180  | 60 | 13   | 5.3  | 3.8 | 1.5  | 1.7 | 5.5  | 12 | 8  |  |
| TH-1.6-5.5-4-40 | 254  | 80 | 17.5 | 5.3  | 0   | 7.8  | 0   | 7.5  | 16 | 12 |  |
| TH-1.6-6.0-4-40 | 254  | 80 | 17.5 | 5.3  | 0   | 7.8  | 0   | 7.5  | 16 | 12 |  |
| TH-1.6-6.5-4-40 | 254  | 80 | 17.5 | 5.3  | 0   | 8.8  | 0   | 7.5  | 16 | 12 |  |
| TH-1.6-7.0-4-40 | 254  | 80 | 17.5 | 5.3  | 0   | 8.8  | 0   | 7.5  | 16 | 12 |  |
| TH-1.6-7.5-4-40 | 254  | 80 | 17.5 | 5.3  | 0   | 9.8  | 0   | 7.5  | 16 | 12 |  |
| TH-1.6-8.0-4-40 | 254  | 80 | 17.5 | 5.3  | 0   | 9.8  | 0   | 7.5  | 16 | 12 |  |
| TH-1.6-8.5-4-40 | 254  | 80 | 17.5 | 5.3  | 0   | 10.8 | 0   | 7.5  | 16 | 12 |  |
| TH-1.6-9.0-4-40 | 254  | 80 | 17.5 | 5.3  | 0   | 10.8 | 0   | 7.5  | 16 | 12 |  |
| TH-1.6-9.5-4-40 | 254  | 80 | 17.5 | 5.3  | 0   | 11.8 | 0   | 7.5  | 16 | 12 |  |
| TH-1.6-10-4-40  | 254  | 80 | 17.5 | 5.3  | 0   | 11.8 | 0   | 7.5  | 16 | 12 |  |
| TH-1.6-2.0-6-32 | 180  | 80 | 17.5 | 7.3  | 0   | 4.0  | 0   | 7.5  | 16 | 12 |  |
| TH-1.6-2.5-6-32 | 180  | 80 | 17.5 | 7.3  | 0   | 5.0  | 0   | 7.5  | 16 | 12 |  |
| TH-1.6-3.0-6-32 | 180  | 80 | 17.5 | 7.3  | 0   | 5.0  | 0   | 7.5  | 16 | 12 |  |
| TH-1.6-3.5-6-32 | 254  | 80 | 17.5 | 7.3  | 0   | 6.0  | 0   | 7.5  | 16 | 12 |  |
| TH-1.6-4.0-6-32 | 254  | 80 | 17.5 | 7.3  | 0   | 6.0  | 0   | 7.5  | 16 | 12 |  |
| TH-1.6-4.5-6-32 | 254  | 80 | 17.5 | 7.3  | 0   | 7.0  | 0   | 7.5  | 16 | 12 |  |
| TH-1.6-5.0-6-32 | 254  | 80 | 17.5 | 7.3  | 0   | 7.0  | 0   | 7.5  | 16 | 12 |  |
| TH-1.6-5.5-6-32 | 254  | 80 | 25.5 | 7.3  | 0   | 8.0  | 0   | 11.5 | 24 | 16 |  |
| TH-1.6-6.0-6-32 | 254  | 80 | 25.5 | 7.3  | 0   | 8.0  | 0   | 11.5 | 24 | 16 |  |
| TH-1.6-6.5-6-32 | 254  | 80 | 25.5 | 7.3  | 0   | 9.0  | 0   | 11.5 | 24 | 16 |  |
| TH-1.6-7.0-6-32 | 254  | 80 | 25.5 | 7.3  | 0   | 9.0  | 0   | 11.5 | 24 | 16 |  |
| TH-1.6-7.5-6-32 | 254  | 80 | 25.5 | 7.3  | 0   | 10   | 0   | 11.5 | 24 | 16 |  |
| TH-1.6-8.0-6-32 | 254  | 80 | 25.5 | 7.3  | 0   | 10   | 0   | 11.5 | 24 | 16 |  |
| TH-1.6-8.5-6-32 | 254  | 80 | 25.5 | 7.3  | 0   | 11   | 0   | 11.5 | 24 | 16 |  |
| TH-1.6-9.0-6-32 | 254  | 80 | 25.5 | 7.3  | 0   | 11   | 0   | 11.5 | 24 | 16 |  |
| TH-1.6-9.5-6-32 | 254  | 80 | 25.5 | 7.3  | 0   | 11.8 | 0   | 11.5 | 24 | 16 |  |
| TH-1.6-10-6-32  | 254  | 80 | 25.5 | 7.3  | 0   | 11.8 | 0   | 11.5 | 24 | 16 |  |