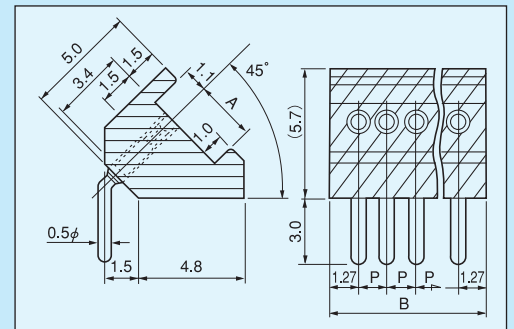
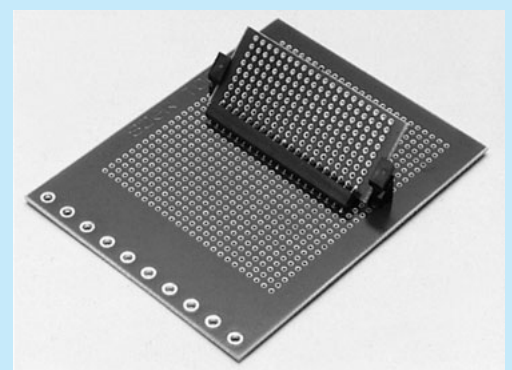
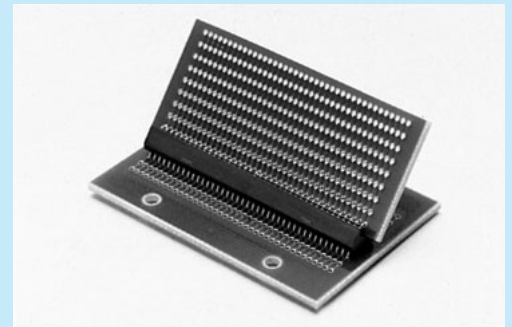


Tilted socket [AA series] (10pcs/pack)

- A slave board can be fit with an angle of 45 degrees.
- As it is possible to set a lower height than the one which is fit at right angle, the space can be saved and the PC board can be easily inspected.
- By attaching a display element, it becomes more visible.
- Material
 - Resin part: PCT resin black (UL94V-0)
 - Socket part Body: Brass
 - Contact: Beryllium copper,
- Finish
 - Socket part Body: Tin plating over nickel base
 - Contact: Gold plating over nickel base
- Rated current: 1A
- Insulation resistance: 500MΩ or over
- Withstand voltage: AA-1 series: 500V AC, DC per minute
AA-3 series: 1000V AC, DC per minute
- Contact resistance: 10mΩ or less
- Insertion / removal forces: 30g or over (per pin)
- Insertion / removal frequency: 100 times or over
- Operating temperature range: -40 to +125°C
- Adaptive male pin diameter: φ 0.35 to φ 0.47
- Printed board fitting hole diameter: φ 0.7



Example of usage



When a guide is used

Part number	A	B	P	Adaptive PC board thickness for a slave board	Adaptive male pin for a slave board	Maximum number of poles connected
AA-1-0.6	1.8	52.07	1.27	0.6	MA-1-0	40P
AA-1-0.8	2.0	52.07	1.27	0.8	MA-1-0	40
AA-1-1.0	2.2	52.07	1.27	1.0	MA-1-0	40
AA-1-1.2	2.4	52.07	1.27	1.2	MA-1-0	40
AA-1-1.6	2.8	52.07	1.27	1.6	MA-1-0	40
AA-3-0.6	1.8	50.8	2.54	0.6	MA-3-0	20
AA-3-0.8	2.0	50.8	2.54	0.8	MA-3-0	20
AA-3-1.0	2.2	50.8	2.54	1.0	MA-3-0	20
AA-3-1.2	2.4	50.8	2.54	1.2	MA-3-0	20
AA-3-1.6	2.8	50.8	2.54	1.6	MA-3-0	20

How to order:

AA-1-0.6-10P

↑ Please fill in the number of poles.
(If the number is not specified, we will deliver the part of the maximum number of connection.)