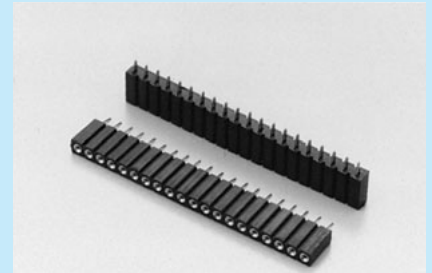


## Conthrough socket [Part number: XS-1] (10pcs/pack)

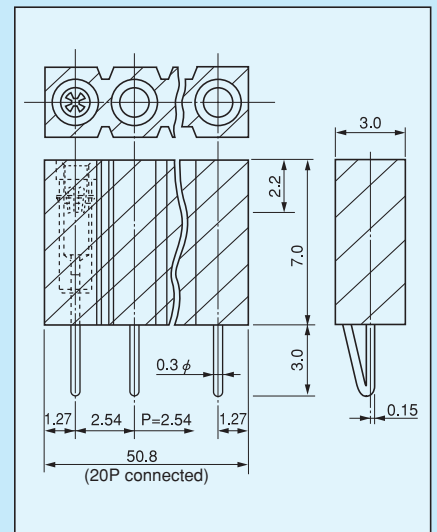
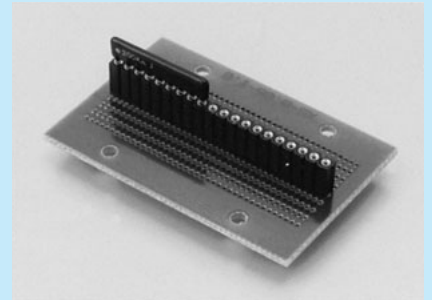
- When adjustment of resistor, resistor array, IC, etc. is necessary, please fit it to this product and insert to a PC board. After adjustment, please remove this product and solder the parts to the PC board.
- There is no problem for using without removing this product.
- Material
  - Resin part: PBT black (UL94V-0)
  - Metal part Body: Brass
  - Contact: Beryllium copper
  - Finish: Gold plating over nickel base
- Adaptive male pin diameter:  $\phi$  0.45 to  $\phi$  0.6
- Rated current: 1A
- Rated voltage: 125V AC, DC
- Contact resistance: 30m $\Omega$  or less
- Insulation resistance: 500M $\Omega$  or over
- Withstand voltage: 1000V AC, DC per minute
- Adaptive through hole for printed board:  $\phi$  0.8 to  $\phi$  0.9 for the TH finish diameter  
(Please make a hole of  $\phi$  0.85 as the main diameter.)
- Adaptive printed board thickness: 0.8t to 1.6t
- Operating temperature range:  $-40$  to  $+125^{\circ}\text{C}$
- Operating humidity range: 0 to 85%RH (Without dew condensation.)
- Frequency of use Parts fitting side: 1000 times or less  
PC board side: 50 times or less (for the same through hole)

### ● Insertion / removal forces (per pin)

Through hole	Insertion forces	Removal forces
$\phi$ 0.8	600g or less	100g or over
$\phi$ 0.85	400g or less	50g or over
$\phi$ 0.9	200g or less	30g or over



### ■ Example of usage



### ■ How to order

XS-1-10P

Please fill in the desired number of poles. (Maximum number: 20 P)  
(If the number is not specified, we will deliver 20P.)

### ■ Instructions for use

This product cannot be used for a copper through hole board.  
(Due to quick oxidization of copper)