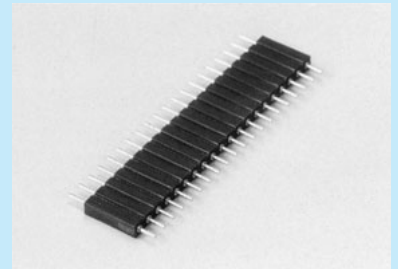
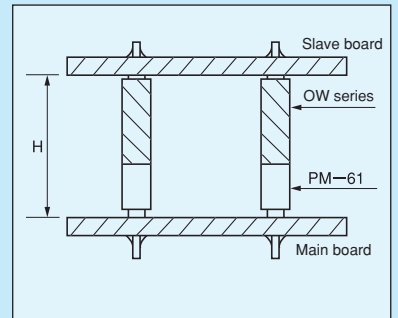


**For insertion / removal of two-tiered type (strong type) (Pitch: 2.54 mm) [OW series] (10pcs/pack)**

- This is used for removal / insertion PC boards of two-tiered type. (Mating socket: PM-61)
- Pitch: 2.54 mm, 20P connected
- Material Pin part: Phosphor bronze、Finish: Gold plating over nickel base  
Resin part: PBT black (UL94V-0)
- Rated current: 4A
- Insulation resistance:500MΩ or over
- Withstand voltage: 1000V AC, DC per minute
- Operating temperature range: -40 to +125°C
- Printed board fitting hole diameter: φ 0.9
- Adaptive socket: PM-61

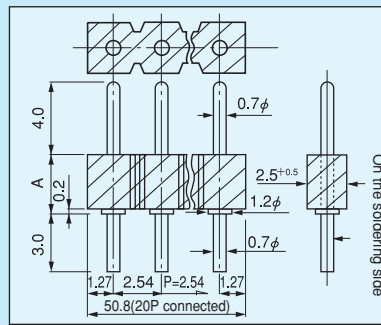


**Example of usage**

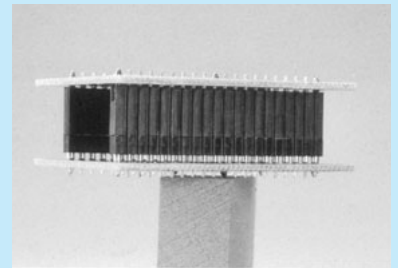


The dimension H indicates the distance between the main board and the slave board when PM-61 is used.

Part number	A	H
OW-3- 1.2	1.2	6.2
OW-3- 2	2	7
OW-3- 3	3	8
OW-3- 4	4	9
OW-3- 5	5	10
OW-3- 7	7	12
OW-3-10	10	15
OW-3-12.5	12.5	17.5
OW-3-15	15	20
OW-3-17.5	17.5	22.5
OW-3-20	20	25
OW-3-25	25	30
OW-3-30	30	35



• Without the edge R for OW-3-25, and 30



**How to order:**

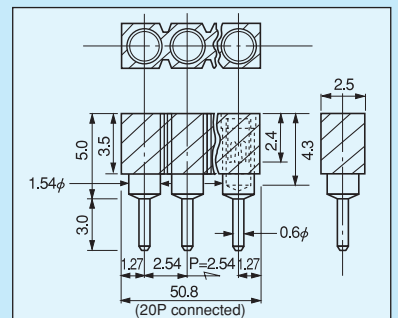
OW-3-5-10P

Please fill in the number of poles. (If the number is not specified, we will deliver the part of the maximum number of connection.) (Maximum number: 20P)

For two-tiered installation

**Socket for OW series (Pitch: 2.54 mm) [Part number: PM-61] (10pcs/pack)**

- By combining with OW series described above, this can be used for mounting PC boards by two-tiered installation.
- This can be used for LED sockets.
- Pitch: 2.54 mm, 20P connected
- Material Body: Brass (Tin plating over nickel base )  
Contact: Beryllium copper (gold plating) Resin: PBT black (UL94V-0)
- Rated current: 3A • Contact resistance:10mΩ or less
- Insulation resistance:500MΩ or over • Withstand voltage: 1000V AC, DC per minute
- Insertion / removal frequency: 100 times or over • Removal /Insertion forces: 70g or over (per pin)
- Operating temperature range: -40 to +125°C
- Adaptive male pin diameter: φ 0.6 to φ 0.8
- Printed board fitting hole diameter: φ 0.8



**Part number: PM-61**

**How to order:**

PM-61-10P

Please fill in the number of poles. (If the number is not specified, we will deliver the part of the maximum number of connection.) (Maximum number: 20P)