

Socket for $\phi 2$ male pin [Part number: PA-2-A] (10pcs/pack)

- This socket is for a male pin of $\phi 2.0$
- Adaptive male pins are OP-7-1, OP-7-2, and OP-7-2-100 (with electric wire).
- This is used for a power supply to a PC board and for checking, etc.
- Six colors, black, red, yellow, green, blue and white, are available.
- Material

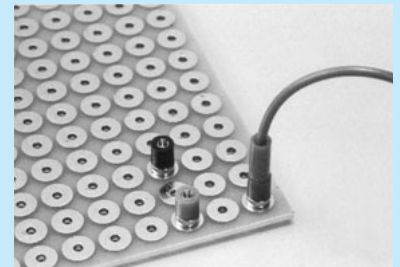
Socket part: Phosphor bronze

Resin part: Fluorine resin (UL94V-0)

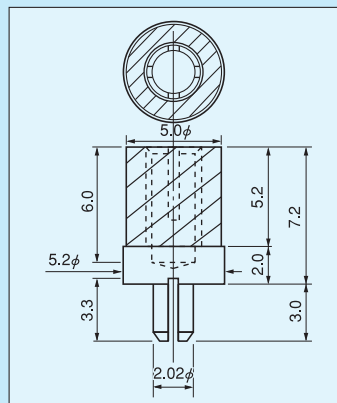
- Finish: Gold plating over nickel base
- Resin color: black, red, yellow, green, blue, white
- Adaptive male pin diameter: $\phi 2.0$
- Insertion forces: 800g or less
- Removal forces: 100g or over
- Insertion / removal frequency: 1000 times or over
- Rated current: 10A
- Contact resistance: 20m Ω or less
- Insulation resistance: 1000M Ω or over
- Withstand voltage: 1000V AC, DC per minute
- Operating temperature range: -55 to $+150^{\circ}\text{C}$
- Printed board fitting hole diameter: $\phi 2.0$



Example of usage



Combination of PA-2-A and OP-7-2-100



How to order:

PA-2-A Red



Please specify the resin color. (black, red, yellow, green, blue, white)

* In order to increase the strength of the fluorine resin part, we have changed the conventional molded type to a cutting type. (Part number: PA-2-A) (The dimensions are the same as those of the conventional item.)