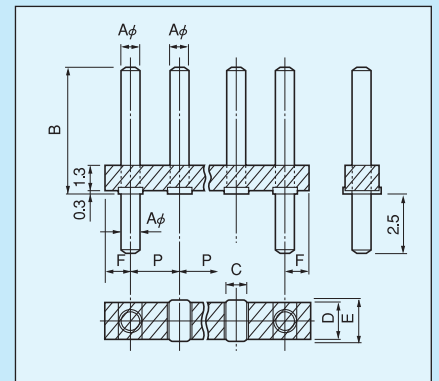
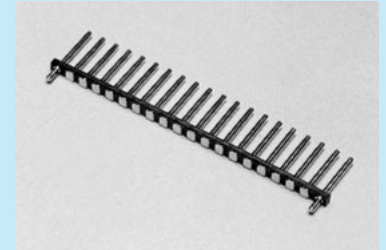


**Connection pin for surface mounting (with positioning pin) [HQS series] (Pitch: 2.54 mm) (10pcs/pack)**

- This product allows easy positioning by putting a positioning pin to HQ series.
- The specification is the same as HQ series.

**Part number**

Part number	A	B	C	D	E	F	P	Number of pins connected
HQS-2-5	0.6	5	1.0	1.6	2.0	0.635	2.54	20
HQS-2-8	0.6	8	1.0	1.6	2.0	0.635	2.54	20
HQS-2-10	0.6	10	1.0	1.6	2.0	0.635	2.54	20
HQS-3-5	0.8	5	1.2	1.8	2.0	1.27	2.54	20
HQS-3-8	0.8	8	1.2	1.8	2.0	1.27	2.54	20
HQS-3-10	0.8	10	1.2	1.8	2.0	1.27	2.54	20
HQS-3-15	0.8	15	1.2	1.8	2.0	1.27	2.54	20
HQS-4-5	1.0	5	1.4	1.8	2.0	1.27	2.54	20
HQS-4-8	1.0	8	1.4	1.8	2.0	1.27	2.54	20
HQS-4-10	1.0	10	1.4	1.8	2.0	1.27	2.54	20
HQS-4-15	1.0	15	1.4	1.8	2.0	1.27	2.54	20



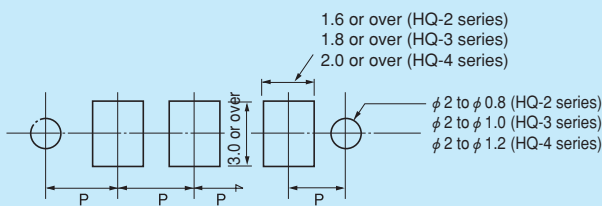
**How to order**

HQS-3-5-10P



Please fill in the desired number of poles.  
 (Please fill in the number of poles including the placement pin.)  
 (With 8 pins as the face mounting pin and 2 pins as the positioning pin)

**Recommended land diameter**



**Instructions for mounting**

In the case that a warpage occurs on the resin part during reflow because many pins are connected for use, apply an adhesive to several places.

For surface mounting