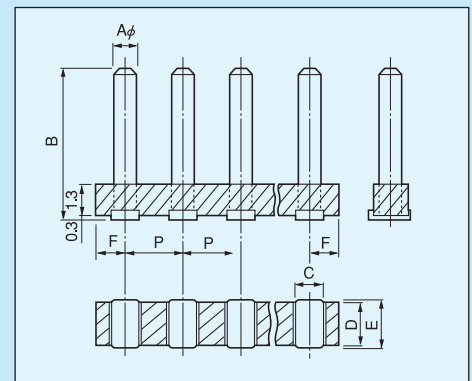
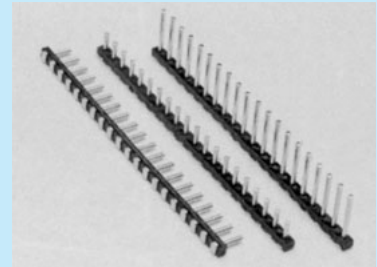


## Connection pin for surface mounting [HQ series] (Pitch: 2.54 mm) (10pcs/pack)

- This is used as a male pin for surface mounting board, aluminum board, iron board, ceramic board and other boards on which it is impossible to drill a hole.
- This is convenient when used for a leg of H.IC, etc. and particularly for a leg of power module.
- 20 pins are connected with a pitch of 2.54 mm.
- Material
  - Resin part: PCT black (UL94V-0)
  - Pin part: Copper, Brass (HQS series placement pin)
- Finish: Gold plating over nickel base
- Rated current:
  - HQ-2 series.....3A
  - HQ-3 series.....4A
  - HQ-4 series.....5A
- Insulation resistance:500M $\Omega$  or over
- Withstand voltage: 1000V AC, DC per minute
- Operating temperature range:-40 to +125 $^{\circ}$ C



### Part number

Part number	A	B	C	D	E	F	P	Number of pins connected
HQ-2-5	0.6	5	1.0	1.6	2.0	0.635	2.54	20
HQ-2-8	0.6	8	1.0	1.6	2.0	0.635	2.54	20
HQ-2-10	0.6	10	1.0	1.6	2.0	0.635	2.54	20
HQ-3-5	0.8	5	1.2	1.8	2.0	1.27	2.54	20
HQ-3-8	0.8	8	1.2	1.8	2.0	1.27	2.54	20
HQ-3-10	0.8	10	1.2	1.8	2.0	1.27	2.54	20
HQ-3-15	0.8	15	1.2	1.8	2.0	1.27	2.54	20
HQ-4-5	1.0	5	1.4	1.8	2.0	1.27	2.54	20
HQ-4-8	1.0	8	1.4	1.8	2.0	1.27	2.54	20
HQ-4-10	1.0	10	1.4	1.8	2.0	1.27	2.54	20
HQ-4-15	1.0	15	1.4	1.8	2.0	1.27	2.54	20

### How to order

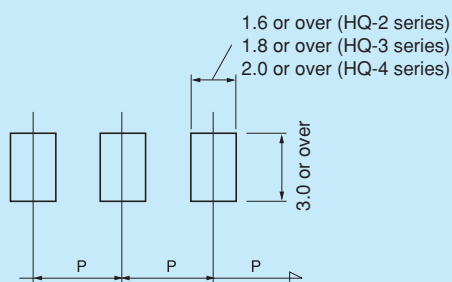
HQ-2-5-10P



Please fill in the desired number of poles.

(If the number is not specified, we will deliver the part of the maximum number of connection, 20P.)

### Recommended land diameter



### Instructions for mounting

In the case that a warpage occurs on the resin part during reflow because many pins are connected for use, apply an adhesive to several places.