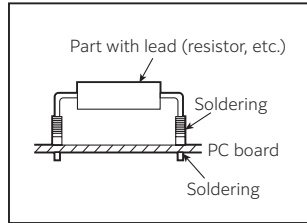


Pin for lead extension

LV series (100pcs/pack)

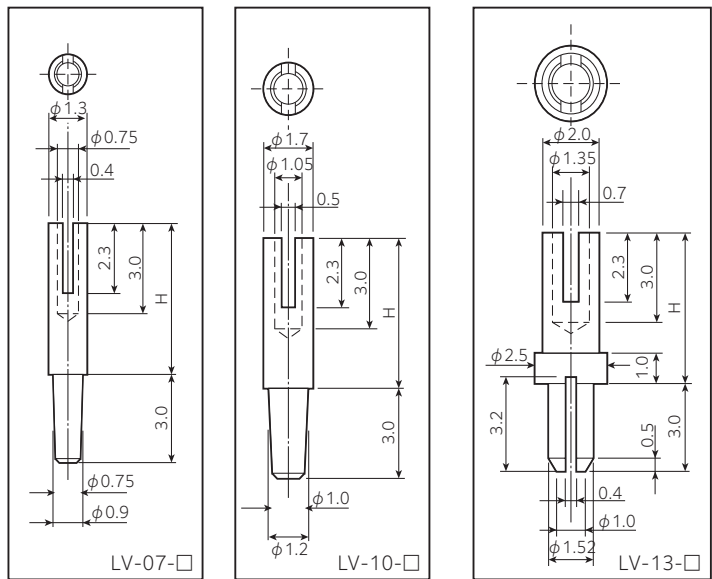
- This is used for making a longer lead of the part.
- Please put the lead in the hole and solder.
- By raising a heat generating part (resistor, etc.) from a board and mounting, the thermal influence on the surrounding areas can be prevented.
- Material: Brass
- Finish: Tin plating over nickel base



Part No.

Part No.	H	Printed board fitting hole diameter	Adaptive lead diameter
LV-07-5	5	φ 0.9 ⁻⁰	φ 0.7 or less
LV-07-7.5	7.5		
LV-07-10	10		
LV-07-15	15	φ 1.2 ⁻⁰	φ 1.0 or less
LV-10-5	5		
LV-10-7.5	7.5		
LV-10-10	10	φ 1.5 ⁻⁰	φ 1.3 or less
LV-10-15	15		
LV-13-5	5		
LV-13-7.5	7.5		
LV-13-10	10		
LV-13-15	15		

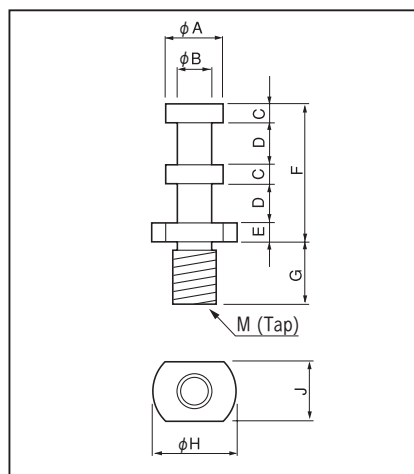
Dimension



Terminal for earth

GT series (100pcs/pack)

- This is used for putting the earth line of PC board into a chassis, etc.
- Material: Brass
- Finish: Gold plating over nickel base



Part No.	A	B	C	D	E	F	G	H	J	M
GT-1-1	3	1.8	0.5	2	1	6	2	5	4	M2
GT-1-2	3	1.8	0.5	2	1	6	3.5	5	4	M2
GT-2-1	6	4	1	4	2	12	3	7	5.5	M3
GT-2-2	6	4	1	4	2	12	6	7	5.5	M3