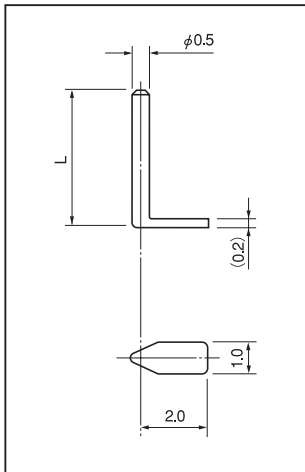


Terminal for surface mounting Hybrid IC

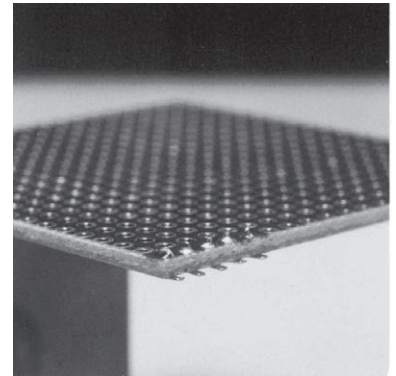
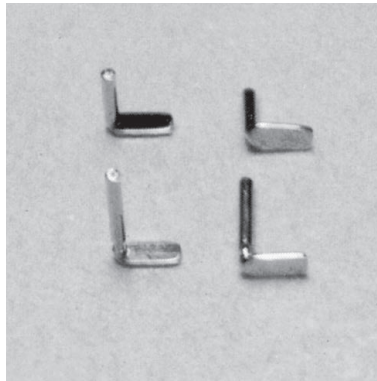
HZ series (1000pcs/pack)

- This is used as the leg of the Hybrid IC when a universal PC board is used as surface mounting Hybrid IC.
- HZ-20 series can be temporarily fixed on the PCB before soldering by pushing the pin into the PCB.
- Material: Brass
- Finish: Gold plating over nickel base
- Printed board fitting hole: ϕ 0.6

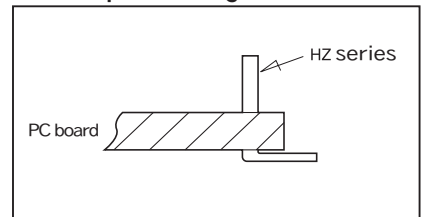
■ HZ-2 series



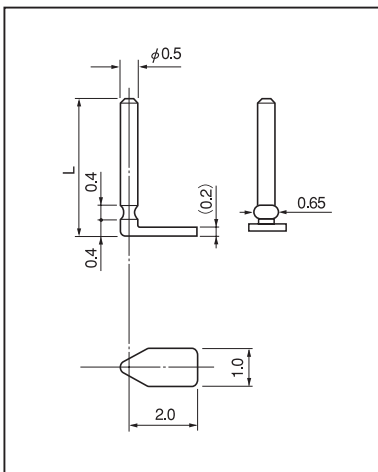
Part No.	L
HZ-2-1	2.5
HZ-2-2	4.0



■ Example of usage



■ HZ-20 series



Part No.	L
HZ-20-1	2.5
HZ-20-2	4.0