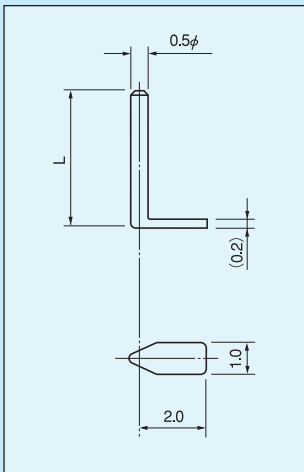


Hybrid IC terminal for surface mounting [HZ series] (1000pcs/pack)

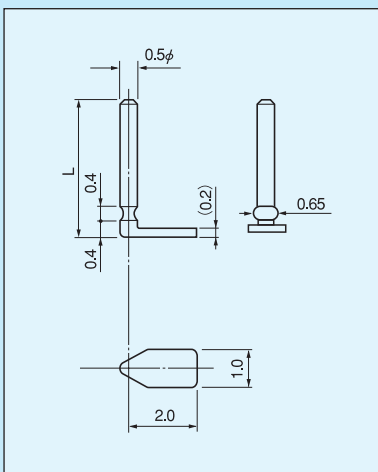
- This is used as a leg for H.IC when a perforated PC board is used as the H.IC for surface mounting.
- HZ-20 series can be temporarily fixed until soldering by pushing a pin into it.
- Material: Brass
- Finish: Gold plating over nickel base
- Printed board fitting hole: ϕ 0.6

■ HZ-2 series

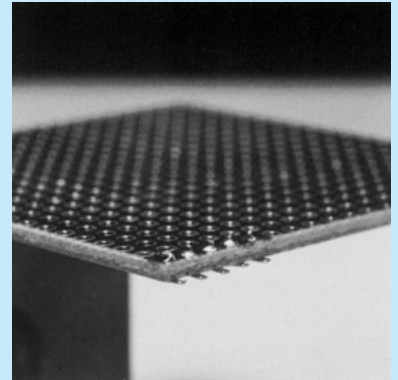
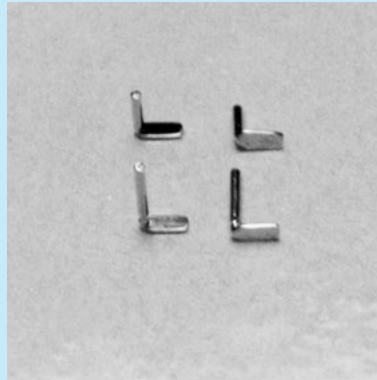


Part number	L (mm)
HZ-2-1	2.5
HZ-2-2	4.0

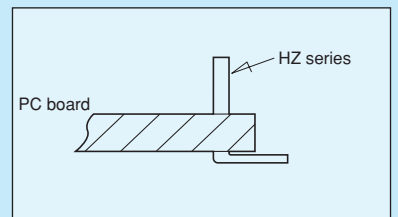
■ HZ-20 series



Part number	L (mm)
HZ-20-1	2.5
HZ-20-2	4.0



■ Example of usage



For surface mounting