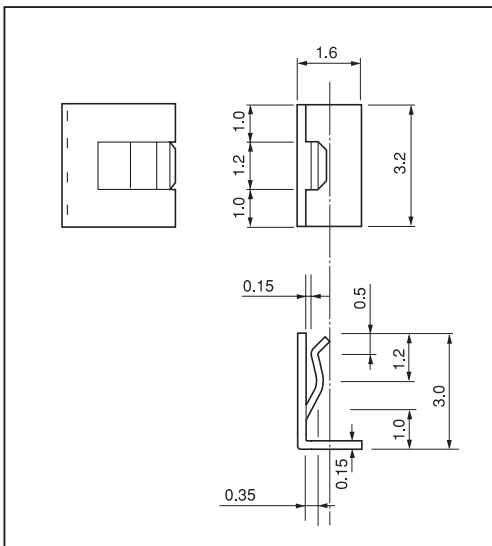
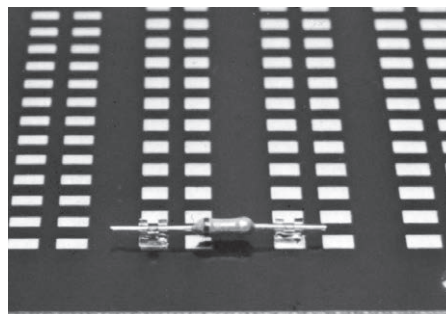
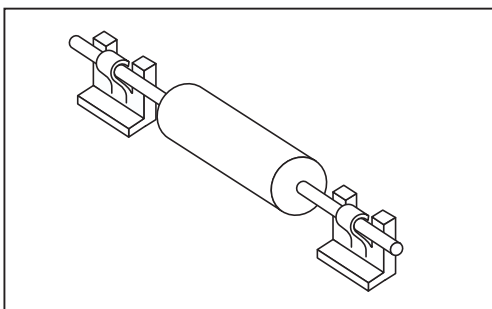
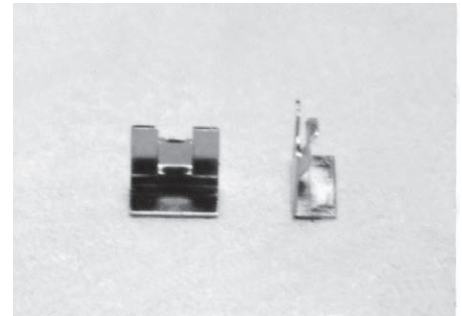


Terminal for detachable adjustment part for surface mounting

**HN-1 series** (1000pcs/pack)

- When it is impossible to use volume, etc. at a place with vibrations, etc., this product is used by fitting to a surface mounting board while adjusting by inserting and removing a resistor, etc. Upon completion of the adjustment, solder it to the leg of the part and fix.
- Adaptive lead diameter:  $\phi$  0.3 to  $\phi$  0.6
- Recommended land information: 3.2 × 1.6mm
- Material: Phosphor bronze
- Finish: Gold plating over nickel base, Tin plating over nickel base
- Part no: HN-1-G:Gold plating  
HN-1-S:Tin plating



■ Recommended land information

