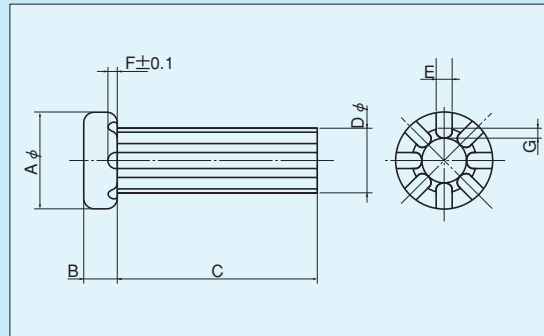
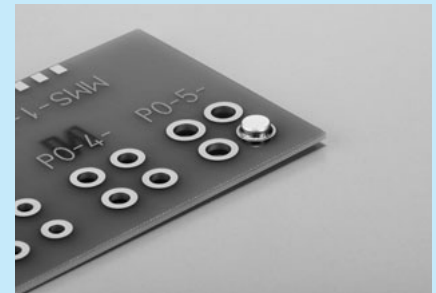


Up-and down conduction pin for high current [PO series] (100pcs/pack)

- To flow high current to the PCB such as thick-copper PCB, from component side to soldering side.
- Stable for flowing high current to the through-hole.
- Useful structure to flow solder from component side, soldering side.
- Material: Copper
- Finish: Tin plating over Ni base



Example of usage



Part number

Part number	A(φ)	B	C	D(φ)	E	F	G	Adaptive PCB thickness	Through hole diameter(φ)	Current capacity(A)
PO-2-3	3.0	1.0	3.0	2.0	0.5	0.3	0.3	1.6 (mm)	2.1 φ ⁻⁰	20
PO-2-4	3.0	1.0	4.0	2.0	0.5	0.3	0.3	2.0	2.1 φ ⁻⁰	20
PO-2-5	3.0	1.0	5.0	2.0	0.5	0.3	0.3	3.0~3.5	2.1 φ ⁻⁰	20
PO-2-6	3.0	1.0	6.0	2.0	0.5	0.3	0.3	3.6~5.0	2.1 φ ⁻⁰	20
PO-3-3	4.0	1.5	3.0	3.0	0.5	0.3	0.3	1.6	3.1 φ ⁻⁰	30
PO-3-4	4.0	1.5	4.0	3.0	0.5	0.3	0.3	2.0	3.1 φ ⁻⁰	30
PO-3-5	4.0	1.5	5.0	3.0	0.5	0.3	0.3	3.0~3.5	3.1 φ ⁻⁰	30
PO-3-6	4.0	1.5	6.0	3.0	0.5	0.3	0.3	3.6~5.0	3.1 φ ⁻⁰	30
PO-4-3	5.0	2.0	3.0	4.0	0.8	0.4	0.4	1.6	4.1 φ ⁻⁰	45
PO-4-4	5.0	2.0	4.0	4.0	0.8	0.4	0.4	2.0	4.1 φ ⁻⁰	45
PO-4-5	5.0	2.0	5.0	4.0	0.8	0.4	0.4	3.0~3.5	4.1 φ ⁻⁰	45
PO-4-6	5.0	2.0	6.0	4.0	0.8	0.4	0.4	3.6~5.0	4.1 φ ⁻⁰	45
PO-5-3	6.0	2.0	3.0	5.0	1.0	0.5	0.5	1.6	5.1 φ ⁻⁰	60
PO-5-4	6.0	2.0	4.0	5.0	1.0	0.5	0.5	2.0	5.1 φ ⁻⁰	60
PO-5-5	6.0	2.0	5.0	5.0	1.0	0.5	0.5	3.0~3.5	5.1 φ ⁻⁰	60
PO-5-6	6.0	2.0	6.0	5.0	1.0	0.5	0.5	3.6~5.0	5.1 φ ⁻⁰	60

Pin for high current