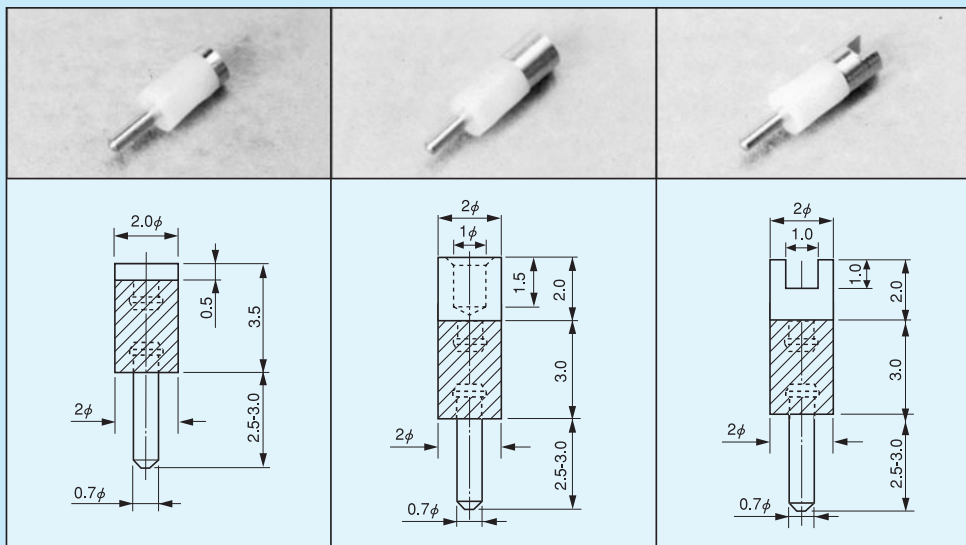
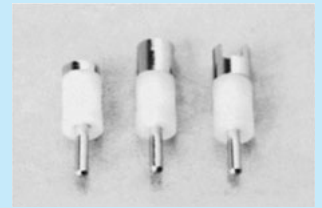


Super-small fluorine terminal [FX series] (100pcs/pack)

- This is a super-small fluorine terminal that can be fixed to a PC board by soldering.
- The upper pin and the lower pin are electrically insulated.
- This is used for a part of operational amplifier with minute current and other parts whose performance is not fully achieved with a glass epoxy board.
- Material: Fluorine (milky white)(UL94V-0)
: Brass
- Finish: Gold plating over nickel base
- Printed board fitting hole diameter: ϕ 0.8



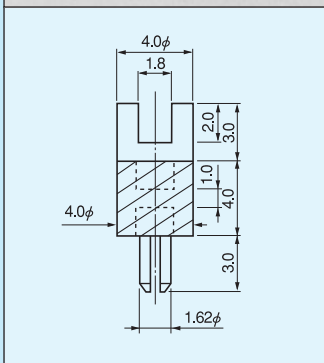
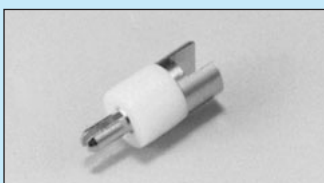
Part number:FX-1

Part number:FX-2

Part number:FX-3

■ Large type

- The material and finish are same as those described above.
- Printed board fitting hole diameter: ϕ 1.6



Part number:FX-30