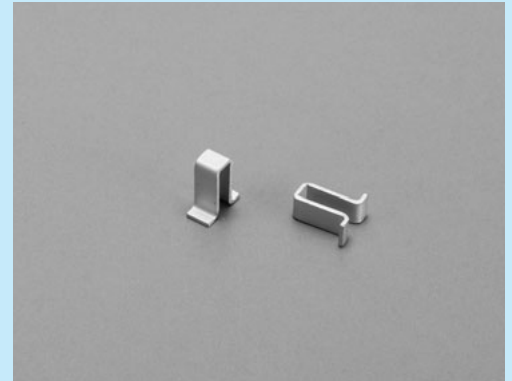


## Test point for automatic inserting machine for surface mounting [HK-7 series]

- A chip mounter can mount this check terminal.
- This can be also used for pattern heat dissipation.
- This is tall and suitable when locating near by tall parts.
- This is stored in an embossed tape.
- In the case of reflow with normal cream solder, the strength will be increased by using the land shape size of 2.5×2.5 or over.
- Material: Brass
- Finish  
 HK-7-G:Gold plating over nickel base  
 HK-7-S:Tin plating over nickel base



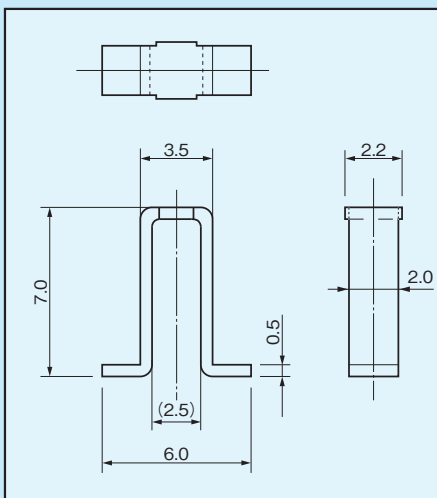
### Part number

Part number	Package
HK-7-G-T	Reel (500pcs/reel)
HK-7-G	Bulk (100pcs/pack)
HK-7-S-T	Reel (500pcs/reel)
HK-7-S	Bulk (100pcs/pack)

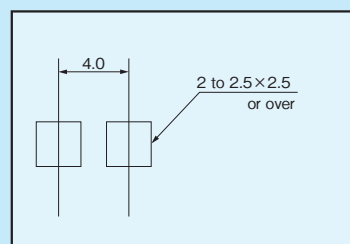
### Example of usage



### Dimension

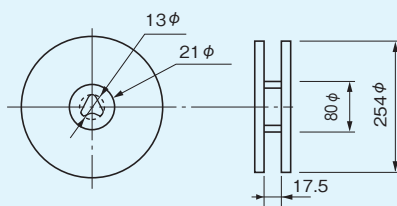


### Recommended land diameter



For surface mounting

### Dimension of the reel



### Dimension of the tape

