

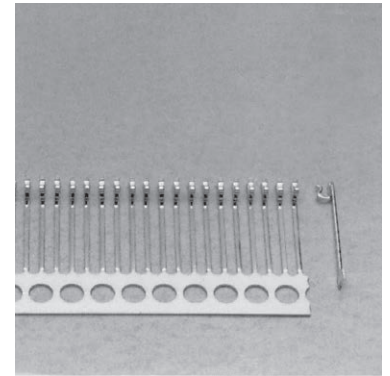
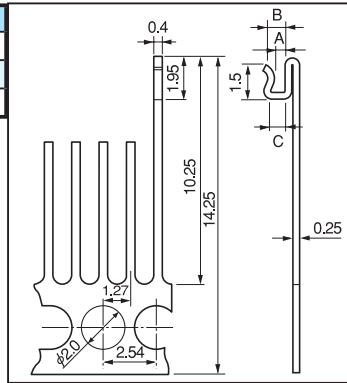
Terminal for hybrid IC [Pitch: 1.27 mm]

CB series (1000pcs/reel)

- This terminal is to be sandwiched between PC boards.
- As this is supplied in the reel form with a pitch of 1.27mm, please cut it after fitting.
- Material: Phosphor bronze
- Finish: Tin plating over nickel base
- * After sandwiching it, please carry out soldering.

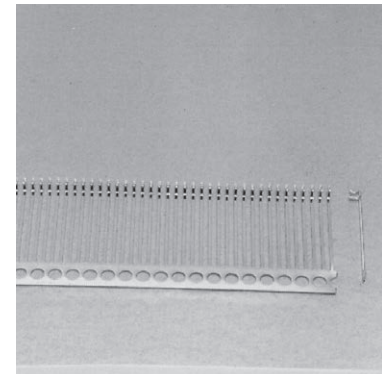
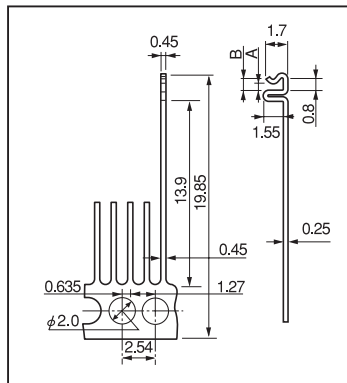
Part No.	A	B	C	Printed board thickness
CB-3-1	0.55	0.9	0.8	0.635
CB-3-3	0.95	1.3	1.3	1.0
CB-3-4	1.1	1.5	1.3	1.2

- The adaptive sandwiching tool is the Part No.: CBX-100



Part No.	A	B	Printed board thickness
CB-4-1	0.55	0.8	0.635
CB-4-2	0.7	1.0	0.8

- The adaptive sandwiching tool is the Part No.: CBX-200



Recommended land information for CB series

Part No.	A	B	P
CB-1-1	1.5 to 2.0	2.0 to 2.5	2.54
CB-1-2			
CB-1-3		2.5 to 3.0	
CB-1-4			
CB-1-5			
CB-2-1	2.0	3.0 to 3.5	2.54
CB-2-2			
CB-2-3			
CB-2-4			
CB-2-5	2.0 to 2.2		
CB-3-1	0.7 to 1.0	2.5 to 3.0	1.27
CB-3-3			
CB-3-4			
CB-4-1			
CB-4-2			

