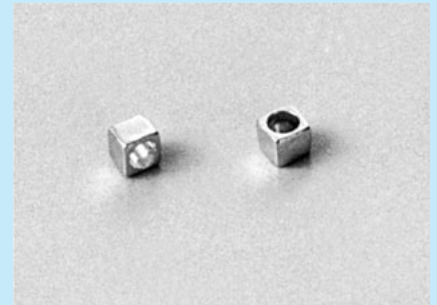
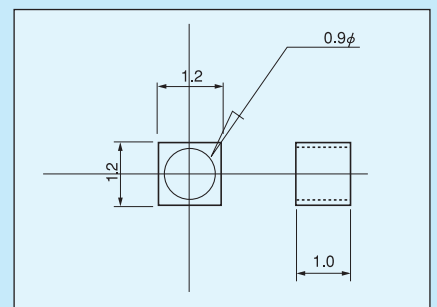


## Test point for automatic inserting machine for surface mounting [HK-4 series] (1.2×1.0 type)

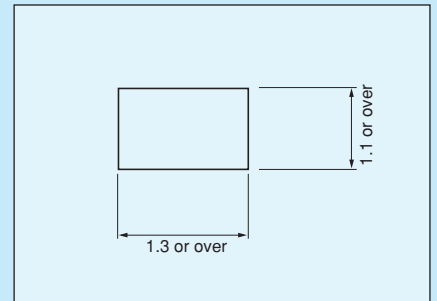
- A chip mounter can be used for this check terminal.
- With the size of 1.2×1.0, this is suitable for small devices.
- Please hook the oscilloscope probe in the inside hole and use.
- In the case of reflow with normal cream solder, the strength will be increased by using the land with a simple shape (□) and the size of 1.3×1.1 or over.
- Material: Brass
- Finish HK-4-G:Gold plating over nickel base  
HK-4-S:Tin plating over nickel base



Part number	Package
HK-4-G-T	Reel (3000pcs/reel)
HK-4-G	Bulk (1000pcs/pack)
HK-4-S-T	Reel (3000pcs/reel)
HK-4-S	Bulk (1000pcs/pack)

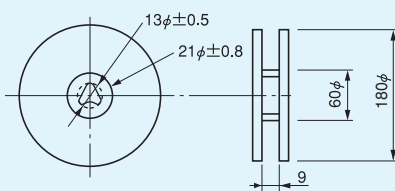


### Recommended land diameter



HK-4-□-T(tape-and-reel)

### Dimension of the reel



### Dimension of the tape

