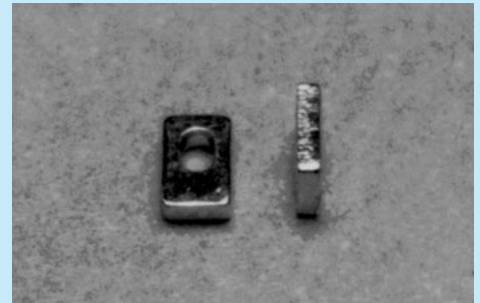
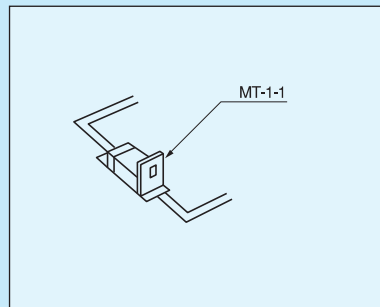
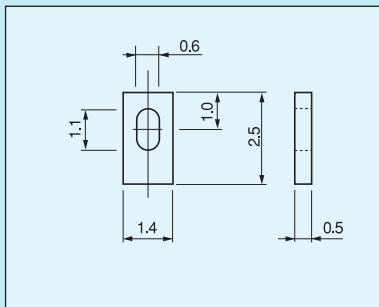
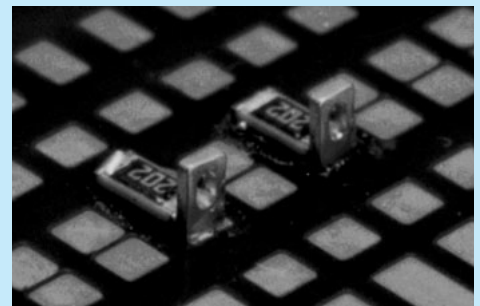


**Additional check terminal for surface mounting [Part number: MT-1-1] (1000pcs/pack)**

- When signal line check is required after mounting by a surface mounting board.  
this can be soldered to the side of the part and used as a check terminal.
- Material: Phosphor bronze
- Finish: Tin plating over nickel base
- Part number : MT-1-1

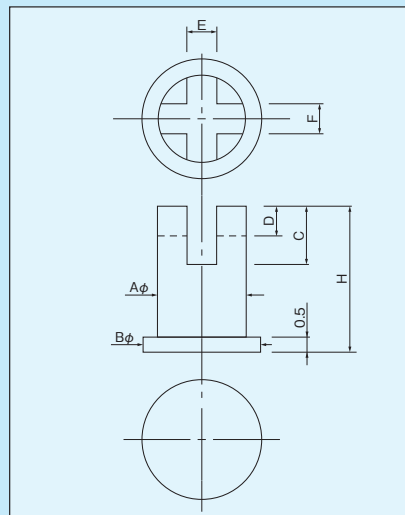


■ Example of usage



**Terminal for bidirectional adjustment part for surface mounting [ATS series] (100pcs/pack)**

- This is used for fitting a part from the both directions.
- Material: Brass
- Finish: Gold plating over nickel base



■ Example of usage



■ Part number

Part number	A	B	C	D	E	F	H	Recommended fitting land
ATS-1-5	φ3	φ4	2.0	1.0	1.0	1.0	5.0	φ5
ATS-1-7	φ3	φ4	2.0	1.0	1.0	1.0	7.0	
ATS-1-10	φ3	φ4	2.0	1.0	1.0	1.0	10	
ATS-1-15	φ3	φ4	2.0	1.0	1.0	1.0	15	
ATS-2-7	φ4	φ5	3.0	1.5	1.5	1.5	7.0	φ6
ATS-2-10	φ4	φ5	3.0	1.5	1.5	1.5	10	
ATS-2-15	φ4	φ5	3.0	1.5	1.5	1.5	15	