

Conthrough series for check

Part No.: **XC-1** (10 pcs/pack)

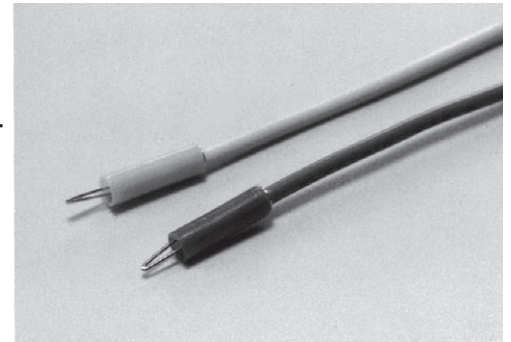
- Signal check can be carried out just by inserting to the through hole.
- Signal can be supplied from the through hole.
- This is aligned with a pitch of 2.54 mm.
- Six resin colors are available (BLACK, WHITE, RED, YELLOW, BLUE, GREEN).
- 50cm-long electric wire is included.
- Material
 - Contact part: Beryllium copper
 - Gold plating over nickel base
 - Body: Brass
 - Gold plating over nickel base
 - Resin part: Acetal copolymer (UL94HB)
- Electric wire: 26AWG
- Rated current: 1A
- Rated voltage: 125V AC, DC
- Contact resistance: 30m Ω or less
- Adaptive through hole for printed board: φ 0.8 to φ 0.9 for the TH finish diameter
- Adaptive printed board thickness: t0.8 to t2.0
- Operating temperature range: - 40 to + 80°C
- Operating humidity range: 0 to 85%RH (Without dew condensation.)
- Frequency of use: 50 times or less (for the same through hole)

Through hole	Insertion forces	Removal forces
φ 0.8	200g or less	50g or over
φ 0.85	150g or less	30g or over
φ 0.9	100g or less	20g or over

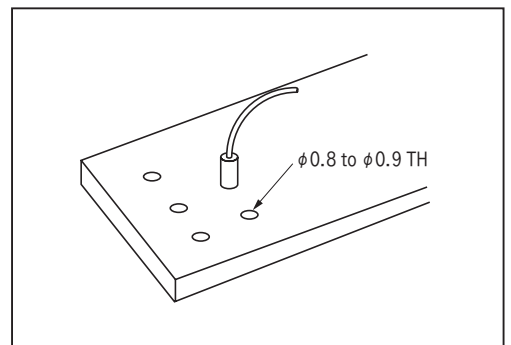
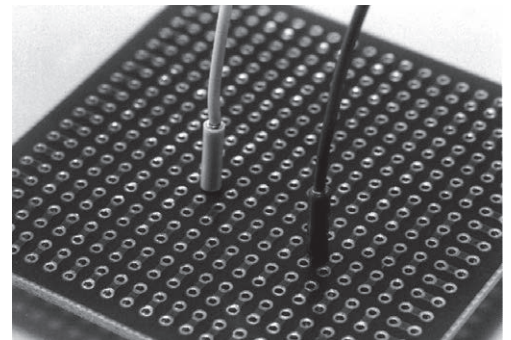
■ **How to order**

XC-1 RED

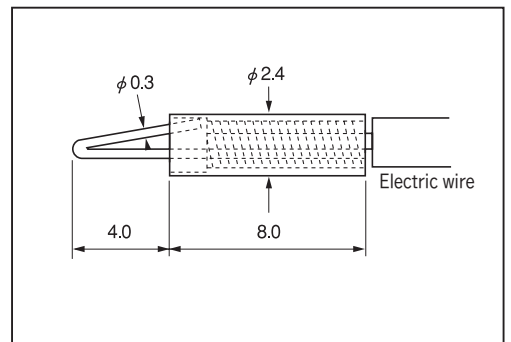
↑ Please specify the resin color.
 (Six colors: BLACK, WHITE, RED, YELLOW, BLUE, GREEN)
 · The color of electric wire and resin is the same.



■ **Example of usage**



■ **Dimension**



■ **Instructions for use**

- This product cannot be used for a copper through hole board. (Due to quick oxidization of copper)