

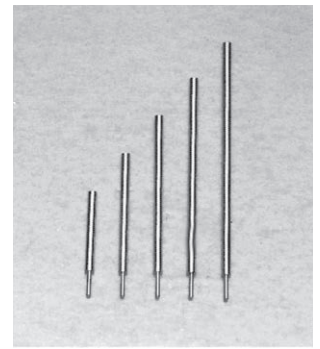
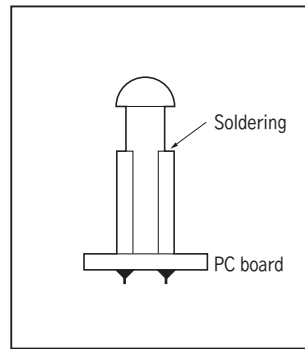
LED extension pin

LF series (1000pcs/pack)

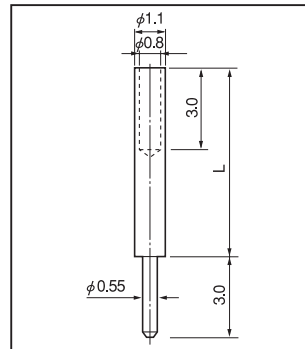
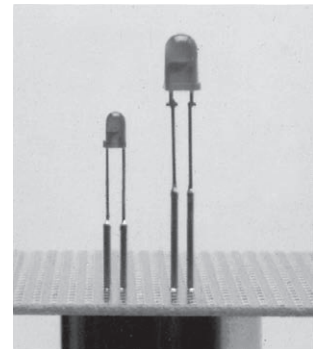
- This is used when an LED leg length is short, etc.
- Please put the LED in the hole and solder.
- Material: Brass
- Finish: Gold plating over nickel base
- Printed board fitting hole diameter: ϕ 0.6 to ϕ 0.7

■ Part No.

Part No.	L
LF-1-10	10
LF-1-15	15
LF-1-20	20
LF-1-25	25
LF-1-30	30



■ Example of usage



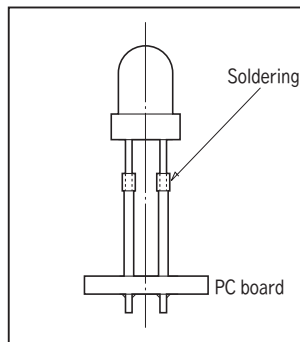
LED extension pin (strong type)

LFF series (1000pcs/pack)

- The leg of this type is more difficult to be bent than LF type described above.
- This is used when an LED leg length is short, etc.
- Diameter of the LED leg that can be fit: ϕ 0.64 or less
□ 0.64 or less
- Material: Phosphor bronze
- Finish: Gold plating over nickel base
- PC board fitting hole diameter: ϕ 0.8

■ Part No.

Part No.	L
LFF-10	10
LFF-20	20
LFF-30	30



■ Example of usage

