

**Test socket for power transistor [Part number: PTR-1] (1 pc/pack)**

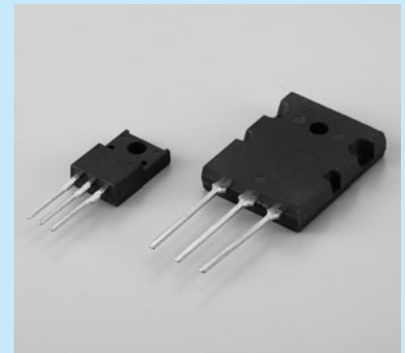
- This is a socket for power transistor testing.
- This is used for testing of transistor, etc.
- Material Resin part: PPS black (UL94V-0)  
Metal part: Beryllium copper
- Finish: Gold plating over nickel base
- Contact resistance: 20mΩ or less
- Durability: 40000 times or less
- Rated current: 20A (duty 1%, 1ms ON, 99ms OFF)
- Insulation resistance: 500MΩ or over
- Withstand voltage: 5000V DC per minute  
3600V AC per minute
- Operating temperature range: 0°C to 100°C



■ Example of usage



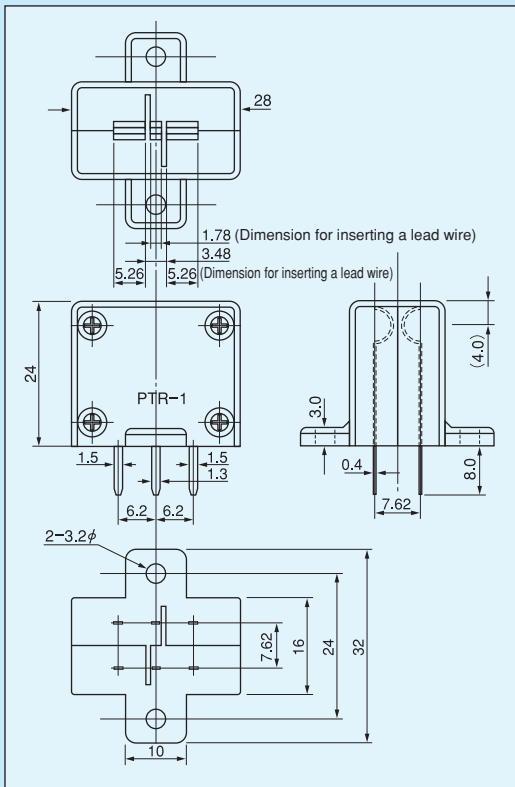
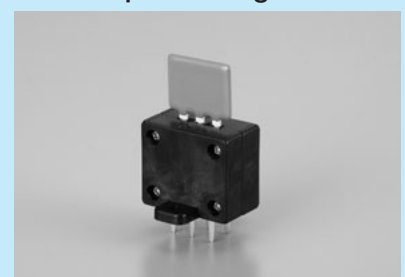
■ Adaptive transistor



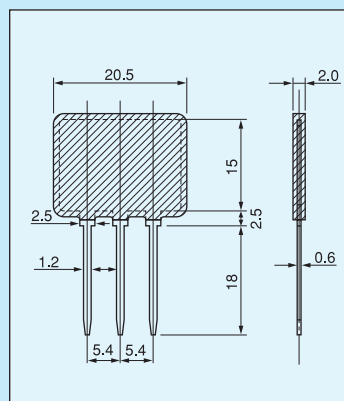
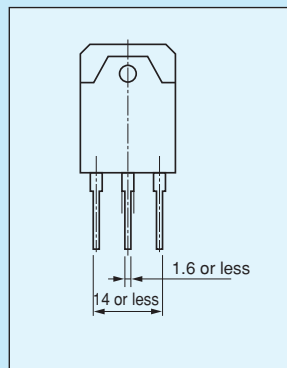
■ Bar for short



■ Example of usage



■ Adaptive transistor



Socket pin

**Bar for short [Part number: PTR-1-SB] (1 pc/pack)**

- By inserting in PTR-1, all circuits can be short-circuited.
- Material Body: Epoxy resin blue (UL94V-0)  
Metal part: Copper
- Finish: Tin plating over nickel base