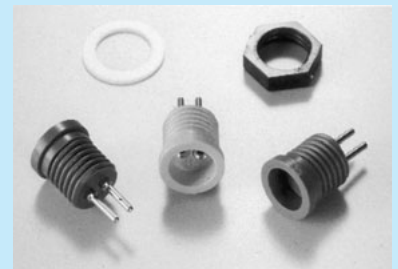
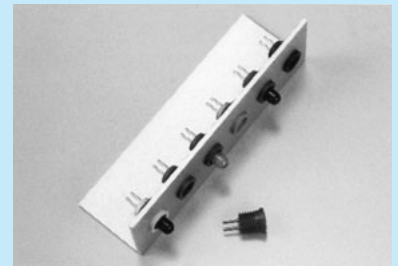


**LED socket for panel [Part number: PP-5-3] (10pcs/pack)**

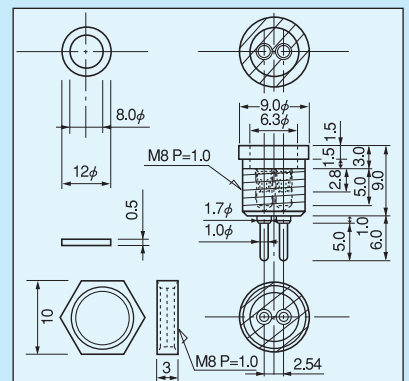
- By fitting this socket to a panel, LED for  $\phi 5$  can be fit to a panel. Replacement is easy.
  - Six colors (black, red, yellow, green, blue and white) are available for the main body.
  - Material
    - Main body Resin part: PPO (Color: black, red, yellow, green, blue and white) (UL94V-1)
    - Metal part Body: Brass: Gold plating over nickel base
    - Contact Beryllium copper: Gold plating over nickel base
  - Nut: PPO resin black (UL94V-1)
  - Washer: Nylon translucent (UL94HB)
  - Rated current: 4A
  - Contact resistance: 10m $\Omega$  or less
  - Insulation resistance: 500M $\Omega$  or over
  - Withstand voltage: 1000V AC, DC per minute
  - Insertion / removal frequency: 100 times or over
  - Insertion / removal forces: 250g or over
  - Operating temperature range: -40 to +125 $^{\circ}$ C
  - Adaptive male pin diameter:  $\phi 0.6$  to  $\phi 0.8$ 、0.5□
  - Adaptive male pin pitch: 2.5 mm, 2.54 mm
  - Thickness of panel that can be fit: 1.0 mm to 3.0 mm
  - Panel fitting hole diameter:  $\phi 8.0$
- \* Instructions for use
- Please use with the screw tightening torque of 2kgf.cm or less.
  - Please cut LED leg from 4.0 mm to 5.0 mm.



■ Example of usage



■ Dimension



■ How to order

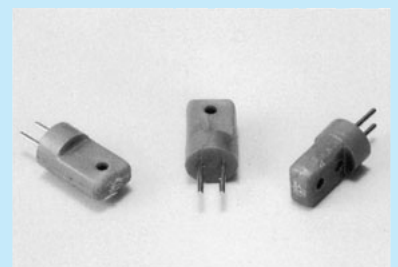
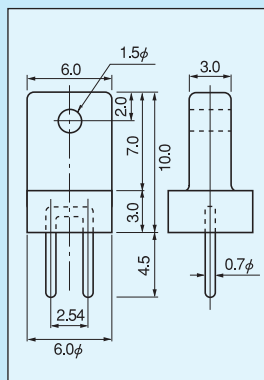
PP-5-3 Red

↑ Please specify the color. (Black, red, yellow, green, blue or white)  
(The main body contains a nut and washer.)

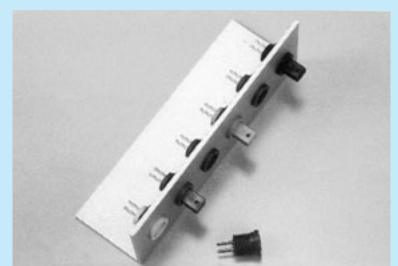
**Shorting plug for panel [Part number: PPS-2] (10pcs/pack)**

- By inserting to PP-5-3 described above, it can provide shorting.
- Six colors (black, red, yellow, green, blue and white) are available.
- By passing a string in the hole, it can be hanged.
- Material:
  - Resin part: PPO (Color: black, red, yellow, green, blue and white) (UL94V-1)
  - Metal part: Phosphor bronze: Gold plating over nickel base
- Rated current: 4A
- Insulation resistance: 500M $\Omega$  or over
- Withstand voltage: 1000V AC, DC per minute
- Operating temperature range: -40 to +125 $^{\circ}$ C

■ Dimension



■ Example of usage



■ How to order

PPS-2 Red

↑ Please specify the color. (Black, red, yellow, green, blue or white)

LED bracket