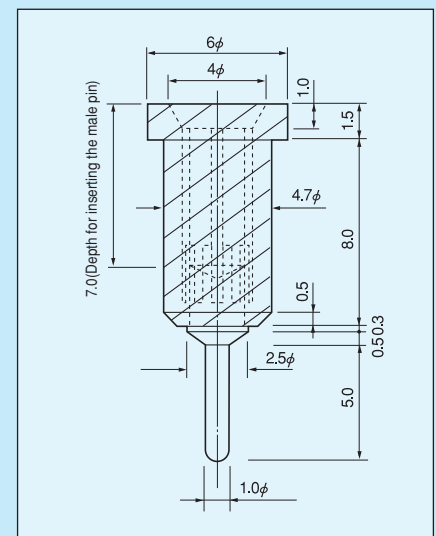
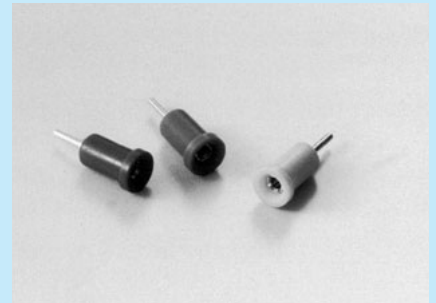
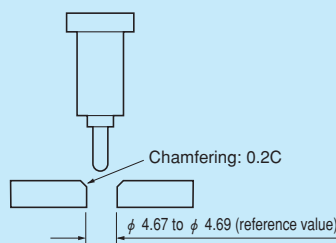


## Socket type (fluorine type) (for $\phi$ 2.0) (press-fitting type) [Part number: PF-8-1-A] (10pcs/pack)

- This is a socket type and OP-7-1, OP-7-2 and OP-7-2-100 (with electric wire) are adaptive for the male side.
- A socket is provided also on the opposite side (the side of  $\phi$  1.0) and OR-5-3 and OR-5-3-50 (with electric wire) are adaptive.
- Material Pin part: Phosphor bronze  
Resin part: Fluorine (UL94V-0)
- Finish Pin part: Gold plating over nickel base
- Resin color: Black, red, yellow, green, blue and white
- Adaptive male pin diameter:  $\phi$  2.0
- Insertion forces: 800g or less
- Removal forces: 100g or over
- Insertion / removal frequency: 1000 times or over
- Rated current: 10A
- Contact resistance: 20m $\Omega$  or less
- Insulation resistance: 1000M $\Omega$  or over
- Volume resistivity ( $\Omega$  - cm):  $10^{18}$  or over
- Withstand voltage: 3000V AC, DC per minute
- Operating temperature range:  $-50$  to  $+180^{\circ}\text{C}$
- Range within which a panel can be fit: 2.0 mm to 7.0 mm
- Panel fitting hole diameter:  $\phi$  4.67 to  $\phi$  4.69(reference value)

### ■ Fitting method

- Press-fit vertically.
- Chamfer the inlet 0.2C.



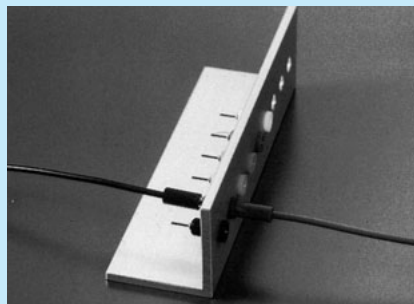
### ■ How to order

PF-8-1-A Red ← Please specify the resin color.  
(Black, red, yellow, green, blue or white)

### • Fitting hole dimension

As the fitting hole dimension varies depending on the panel material, please perform a hole drilling test.

### ■ Example of usage



When OP-7-2-100 (with electric wire) is used on the male side and OR-5-3-50 (with electric wire) is used on the opposite side

★ To increase the strength during press-fitting, the fluorine part has been changed from the conventional mold type to the cutting type. (Dimensions, etc. are the same.) (Part number: PF-8-1-A)