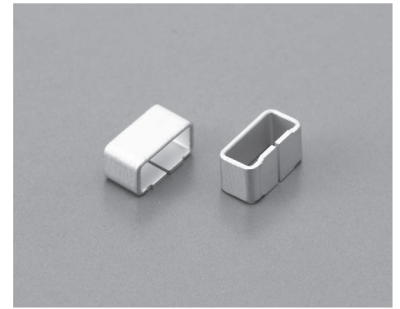


**Terminal for fitting bundled wire band (for surface mounting)**

Part No.: **DM-8**

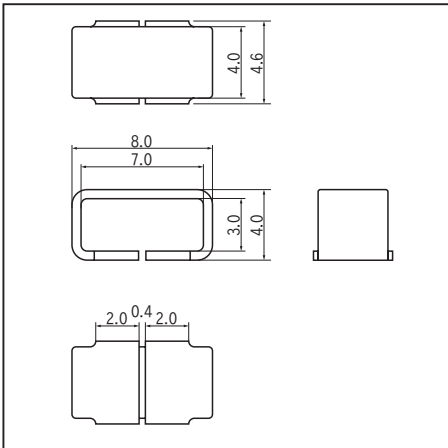
- This is used for fixing electric wires on a surface mounting board by using a bundled wire band.
- DM-8 is soldered by reflow. Then, electric wires are positioned on it and fixed by a bundled wire band.
- Material: Phosphor bronze
- Finish: Tin plating over nickel base



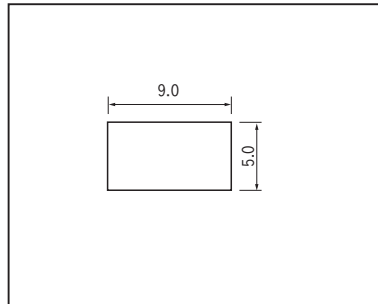
■ Part No.

Part No.	Package
DM-8	Reel (250pcs/reel)
DM-8-B	Bulk (100pcs/pack)

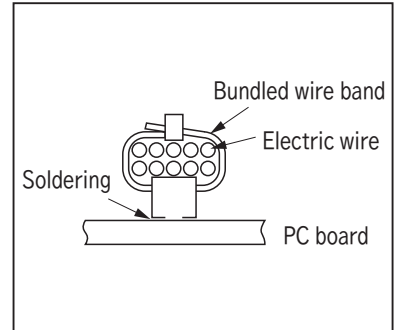
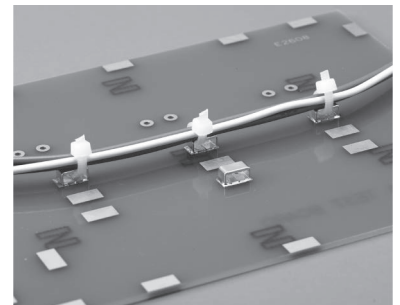
■ Dimension



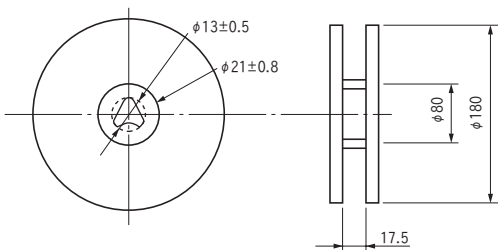
■ Recommended land information



■ Example of usage



Dimension of the reel



Dimension of the tape

