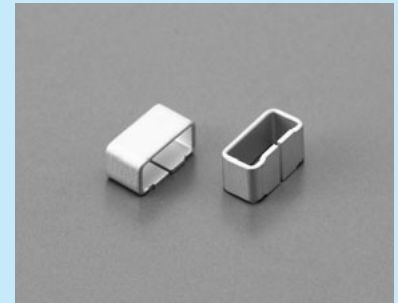


Terminal for fitting bundled wire band (for surface mounting) [Part number: DM-8]

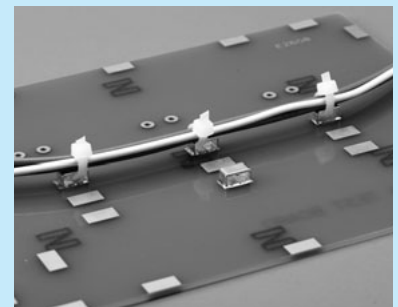
- This is used for fixing electric wires on a surface mounting board by using a bundled wire band.
- DM-8 is soldered by reflow. Then, electric wires are positioned on it and fixed by a bundled wire band.
- Material: Phosphor bronze
- Finish: Tin plating over nickel base



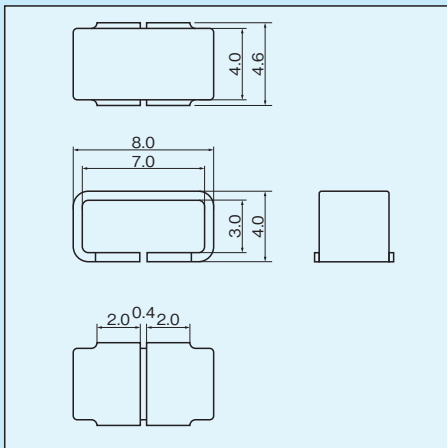
Part number

Part number	Package
DM-8	Reel (250pcs/reel)
DM-8-B	Bulk (100pcs/pack)

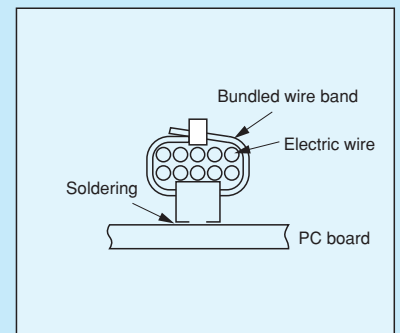
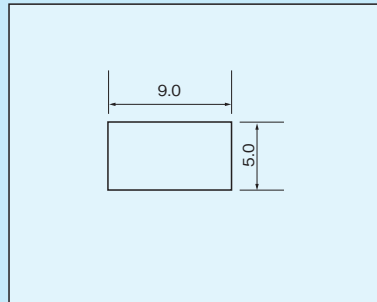
Example of usage



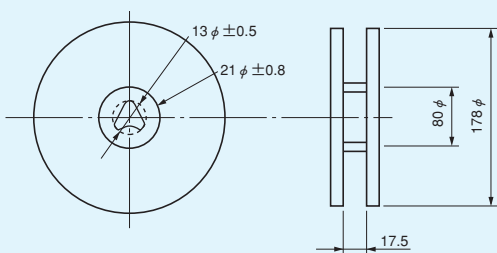
Dimension



Recommended land diameter



Dimension of the reel



Dimension of the tape

