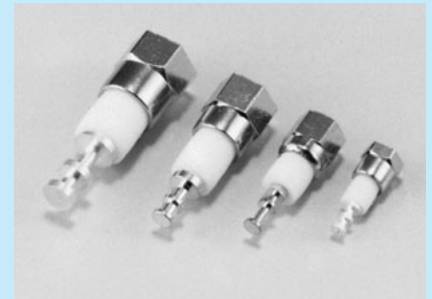
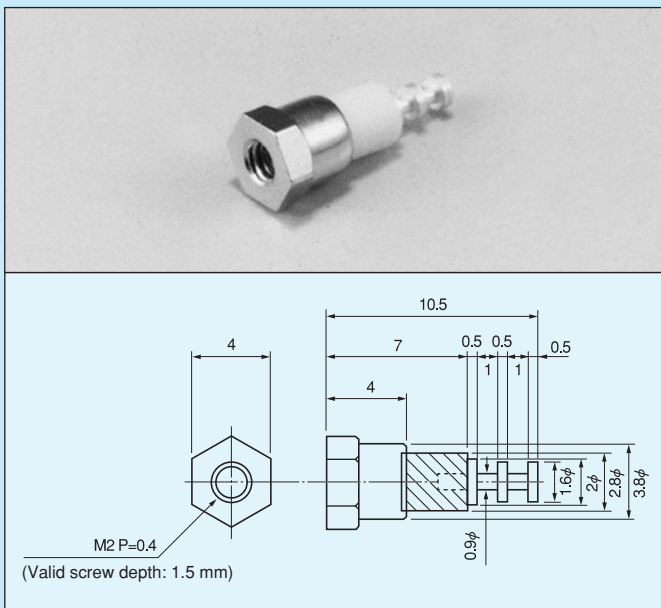


Fluorine terminal for fitting with screw [FN series] (10pcs/pack)

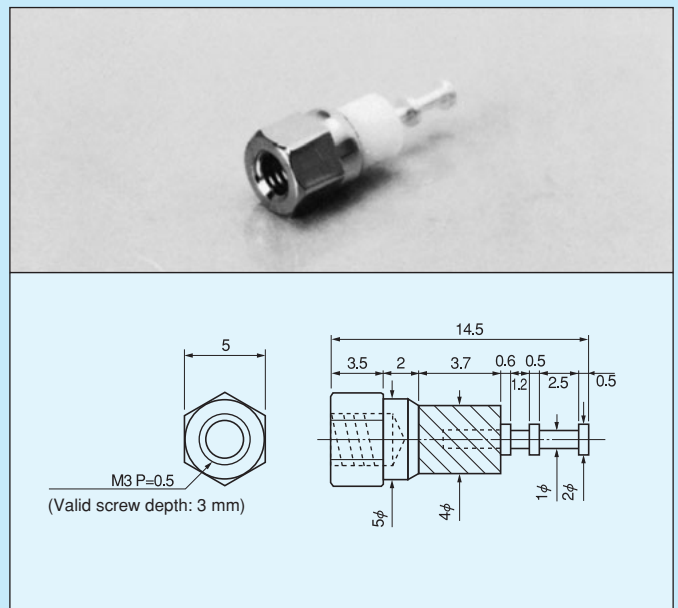
- This is used for fitting with a screw to a chassis, etc. via an electric wire and for fitting a part.
- The upper metal part and the lower metal part are electrically insulated with fluorine.
- Withstand voltage: 2000V AC, DC per minute
- Material Metal part: Brass
Resin part: Fluorine(UL94V-0)
- Finish Upper part: Tin plating over nickel base
Lower part: Nickel plating



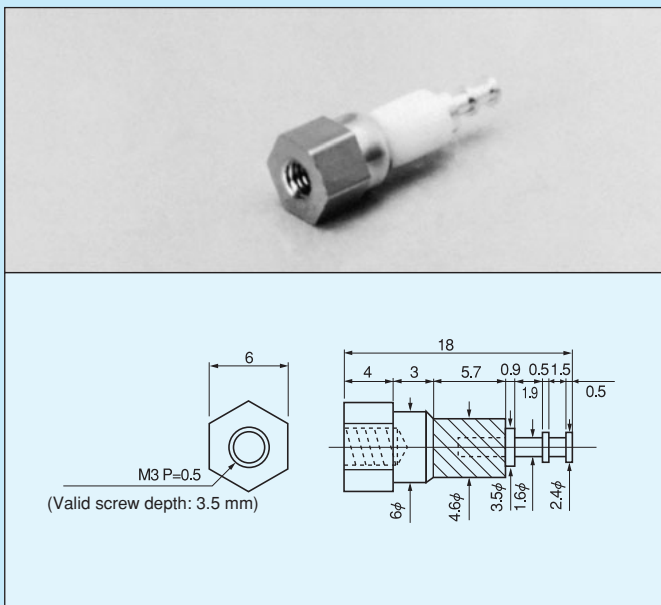
● Part number:FN-1-0



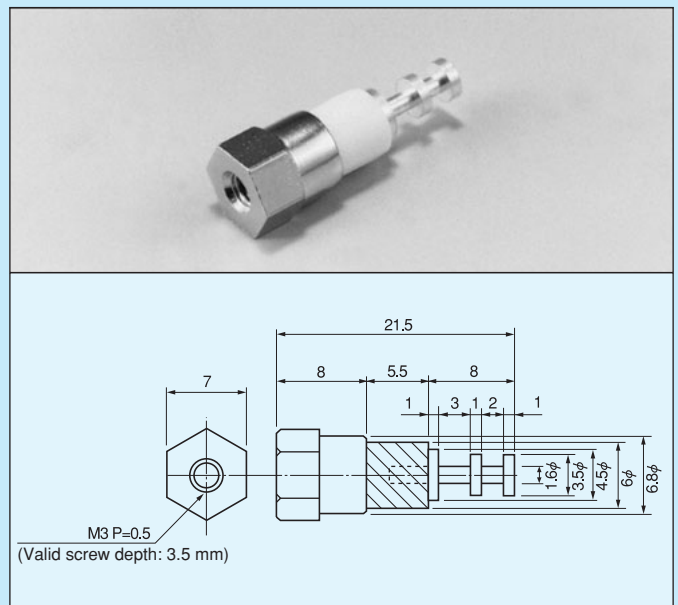
● Part number:FN-1-1



● Part number:FN-1-2



● Part number:FN-1-3

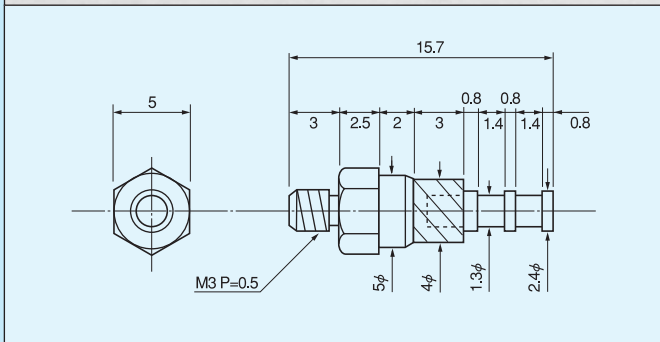


Fluorine terminal for fitting with screw [FN series] (10pcs/pack)

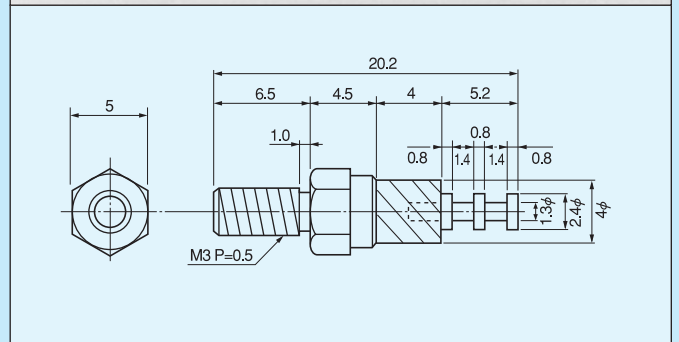
- This is used for fitting with a screw to a chassis, etc. via an electric wire and for fitting a part.
- The upper metal part and the lower metal part are electrically insulated with fluorine.
- Withstand voltage: 2000V AC, DC per minute
- Material Metal part: Brass
Resin part: Fluorine(UL94V-0)
- Finish Upper part: Tin plating over nickel base
Lower part: Nickel plating



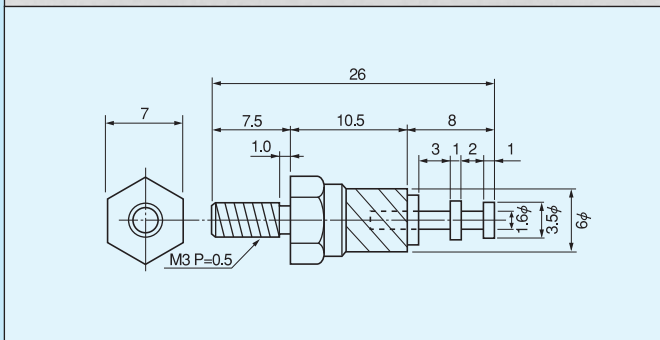
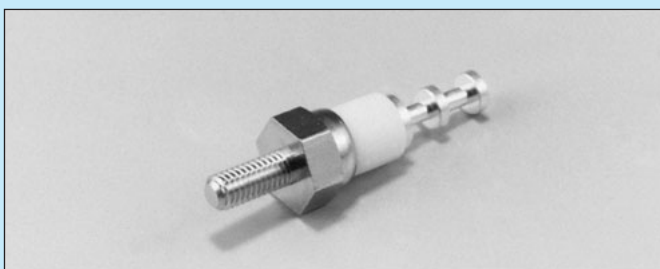
● Part number: FN-2-1



● Part number: FN-2-2



● Part number: FN-2-3



● Part number: FN-3-1

