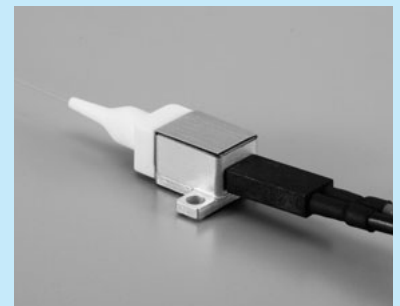


Laser diode socket [Part number: LDS-1.0-2P] (1unit/pack)

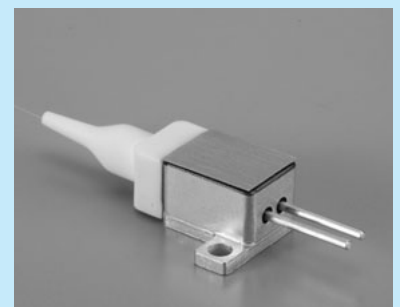
- This socket is for laser diode.
- Electric wire of 50 cm is attached to one side.
- Material
 - Housing: PPS resin black (UL94V-0)
 - Socket Body: Brass
 - Contact: Beryllium copper
- Finish: Gold plating over nickel base
- Rated current: 20A
- Rated voltage: 20V AC, DC
- Insulation resistance: 500M Ω or over
- Withstand voltage: 500V AC, DC per minute
- Contact resistance: 10m Ω or less (per pin)
- Insertion / removal frequency: 100 times or over
- Fitting electric wire: AWG-16
- Operating temperature range: -40 to $+80^{\circ}\text{C}$
- Adaptive male pin diameter: ϕ 0.9 to ϕ 1.1



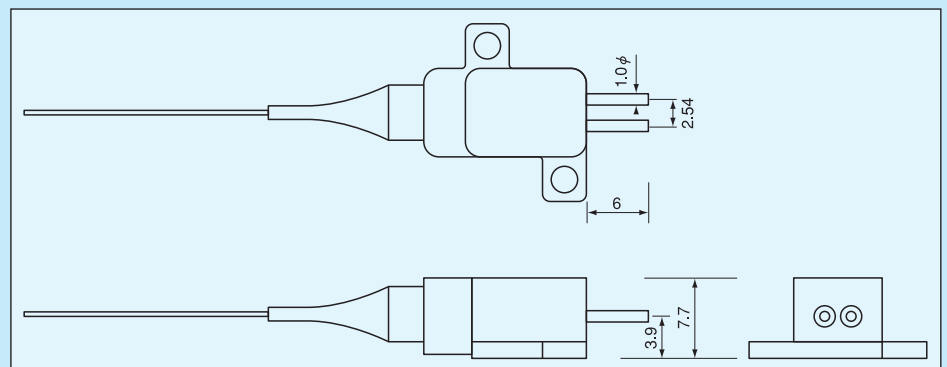
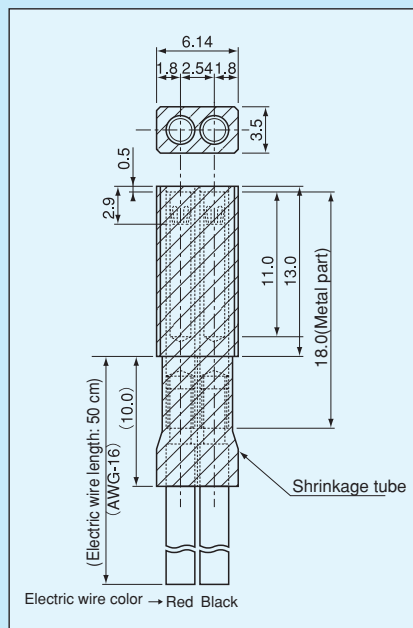
Example of usage



Adaptive laser



Dimension



How to order

Part number: LDS-1.0-2P

- Although the standard product has the electric wire of 50 cm long, we can manufacture a longer one, if necessary. Please contact us.
- We can manufacture the product with different electric wire color. Please contact us.