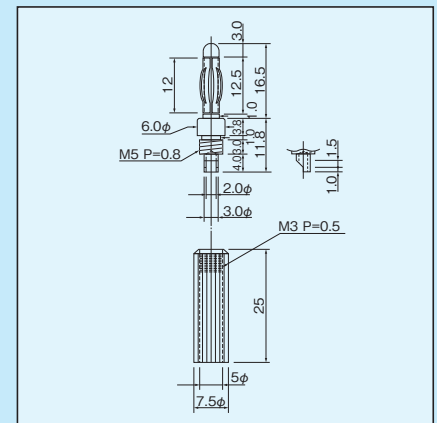


Soft plug [BJ-4 series] (10pcs/pack)

- This plug is used for taking out power supply and signal.
Please use BQ-4 series, BF-4, or BM-4 on the insertion side.
Seven colors, black, red, yellow, green, blue, gray, and white, are available.
- Material
 - Metal part Body: Brass
 - Spring part: Beryllium copper
 - Resin part: PPE (Color: black, red, yellow, green, blue, gray and white) (UL94V-1)
- Finish
 - BJ-4-G: Gold plating over nickel base
 - BJ-4-N: Nickel plating
- Rated current: 15A
- Contact resistance: 10mΩ or less (Insertion side: BQ-4, BF-4, BM-4 series)
- Insulation resistance: 500MΩ or over
- Withstand voltage: 1000V AC, DC per minute
- Adaptive Jack: BQ-4, BF-4, BM-4 series
- Operating temperature range: -40 to +125°C



Dimension



How to order

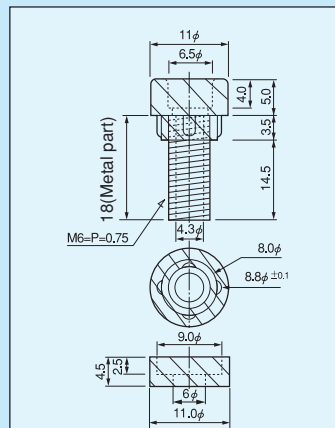
BJ-4-G Red

Color: Black, red, yellow, green, blue, gray or white
G : Gold plating
N : Nickel plating

Jack for soft plug [BQ-4 series] (10pcs/pack)

- This jack can be fit to a panel.
- This is used as the insertion side of BJ-4 series.
- Seven colors, black, red, yellow, green, blue, gray, and white, are available.
- Material
 - Metal part: Brass
 - Resin part: Main body, Fitting bracket: PPE (UL94V-1)
 - Color: Main body: Black, red, yellow, green, blue, gray and white
 - Fitting bracket: Black only
- Finish (Contact part)
 - BQ-4-G: Gold plating over nickel base
 - BQ-4-N: Nickel plating
- Other: Nickel plating
- Rated current: 15A
- Insulation resistance: 500MΩ or over
- Withstand voltage: 1000V AC, DC per minute
- Adaptive plug: BJ-4 series
- Operating temperature range: -40 to +125°C
- Panel fitting hole diameter: φ 9.0
- Thickness of panel that can be fit: 1.2 mm to 3.0 mm

Dimension



How to order

BQ-4-G Red

Color: Black, red, yellow, green, blue, gray or white
G : Gold plating
N : Nickel plating

Instructions for use

Please use with the tightening torque of 3kg.f.cm (29.4 N.cm) or less when fitting.



Example of usage

