

For electric wire installation [Part number: PN-8-1-A] (10pcs/pack)

- Electric wire can be fit to this type of terminal for panel.
- Six colors, black, red, yellow, green, blue and white, are available.
- Material Pin part: Brass
Resin part: PPO (UL94V-1)
- Finish Pin part: Nickel plating
- Resin color: Black, red, yellow, green, blue and white
- Rated current: 5A
- Insulation resistance: 500M Ω or over
- Withstand voltage: 1000V AC, DC per minute
- Operating temperature range: -40 to +125°C
- Range within which a panel can be fit: 0.5 mm to 5.0 mm
- Panel fitting hole diameter: ϕ 6.0

How to order

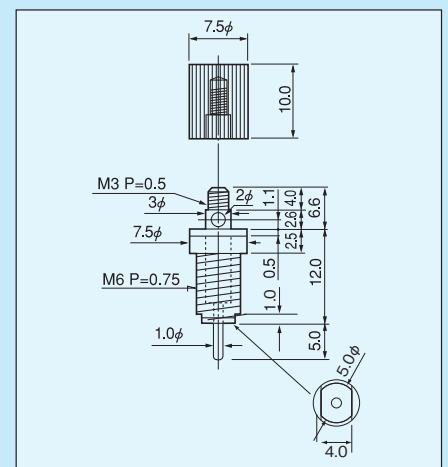
PN-8-1-A Red



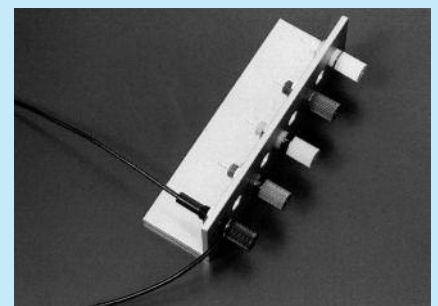
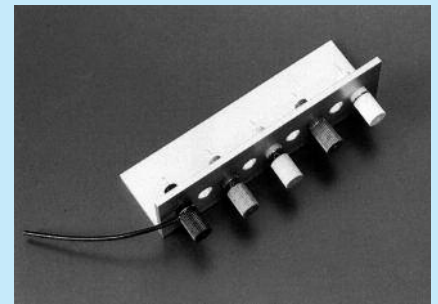
Please specify the resin color.
(Black, red, yellow, green, blue or white)

Instructions for use

- Please use with the tightening torque of 3kg.f.cm (29.4 N.cm) or less when fitting.



Example of usage



When OR-5-3-50 (with electric wire) is used for on the female side

★The conventional type has no part for holding when tightening a nut. Therefore, a part for using spanners is added this time at the back edge to fix with spanners. (Part number: PN-8-1-A)